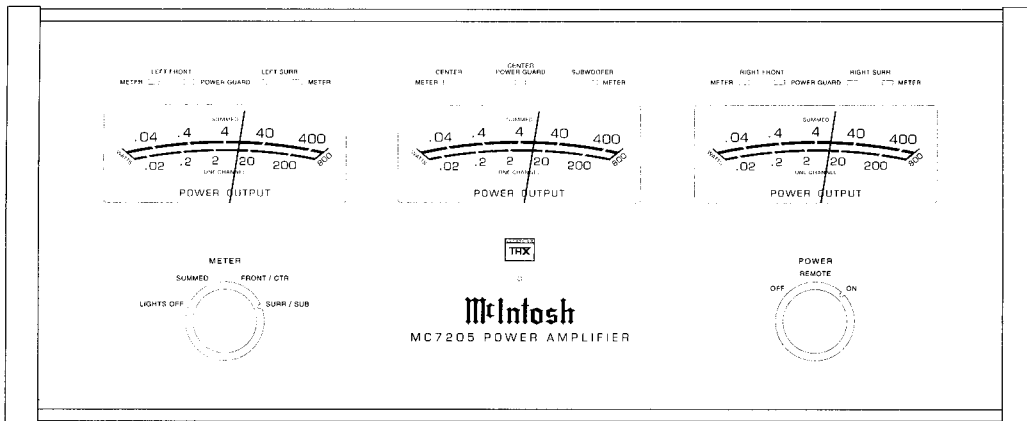


MC7205

POWER AMPLIFIER



CONTENTS

Performance Specifications	2	Driver Schematic and PCB	13-14
Notes	2	Driver Ctr/Sub Schematic and PCB	16-17
Rear Panel	3	Capacitor Schematic and PCB	18
Section Locations	3	Meter/Power Guard/Meter Light	
Block Diagram	4	Display Light Schematic and PCB	19-23
Interconnection Diagram	5-8	Parts List	24-26
THX Schematic and PCB	9	Exploded View and Parts List	27-30
Heatsink Schematic and PCB	10-11	Repacking Instructions	31
Heatsink Ctr/Sub Schematic and PCB	12		

McIntosh

SERVICE MANUAL

PERFORMANCE SPECIFICATIONS

POWER OUTPUT PER CHANNEL

200 watts into 4 ohm loads or 120 watts into 8 ohm loads minimum sine wave continuous average power output per channel, all channels operating.

OUTPUT LOAD IMPEDANCE

8 or 4 ohms

RATED POWER BAND

20Hz to 20,000Hz

DYNAMIC HEADROOM

1.6dB

FREQUENCY RESPONSE

+0, -0.25dB from 20Hz to 20,000Hz
+0, -3dB from 10Hz to 100,000Hz

TOTAL HARMONIC DISTORTION

0.005% maximum at any power level from 250 milliwatt to rated power per channel from 20Hz to 20,000Hz, all channels operating.

INTERMODULATION DISTORTION

0.005% maximum if instantaneous peak output per channel does not exceed twice the rated output with all channels operating for any combination of frequencies from 20hz to 20,000hz.

SIGNAL TO NOISE RATIO

113dB below rated output, (A Weighted)

SENSITIVITY

1 volt (2.0V at level control center detent position)

INPUT IMPEDANCE

10,000 ohms

DAMPING FACTOR (WIDE BAND)

200 @ 8 ohms
100 @ 4 ohms

POWER SUPPLY ENERGY STORAGE

215 Joules

POWER REQUIREMENTS

100 Volts, 50/60Hz at 1080 watts
110 Volts, 50/60Hz at 1080 watts
120 Volts, 50/60Hz at 1080 watts
120 Volts, 50/60Hz at 1080 watts
230 Volts, 50/60Hz at 1080 watts
240 Volts, 50/60Hz at 1080 watts
(Refer to rear panel of the MC7205 for the correct voltage)


DIMENSIONS

Front Panel: 17-1/2 inches (44.5cm) wide, 7-1/16 inches (17.9cm) high. Depth behind front mounting panel is 21 inches (53.3cm) including clearance for connectors. Panel clearance required in front of mounting panel is 1-1/8 inches (2.9cm)

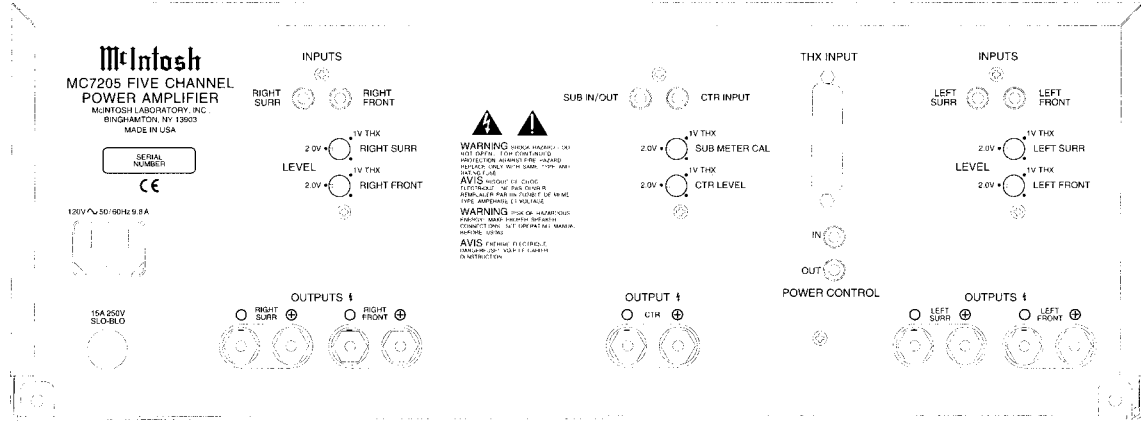
WEIGHT

53 pounds (24kg) net, 72 pounds (32kg) in shipping carton

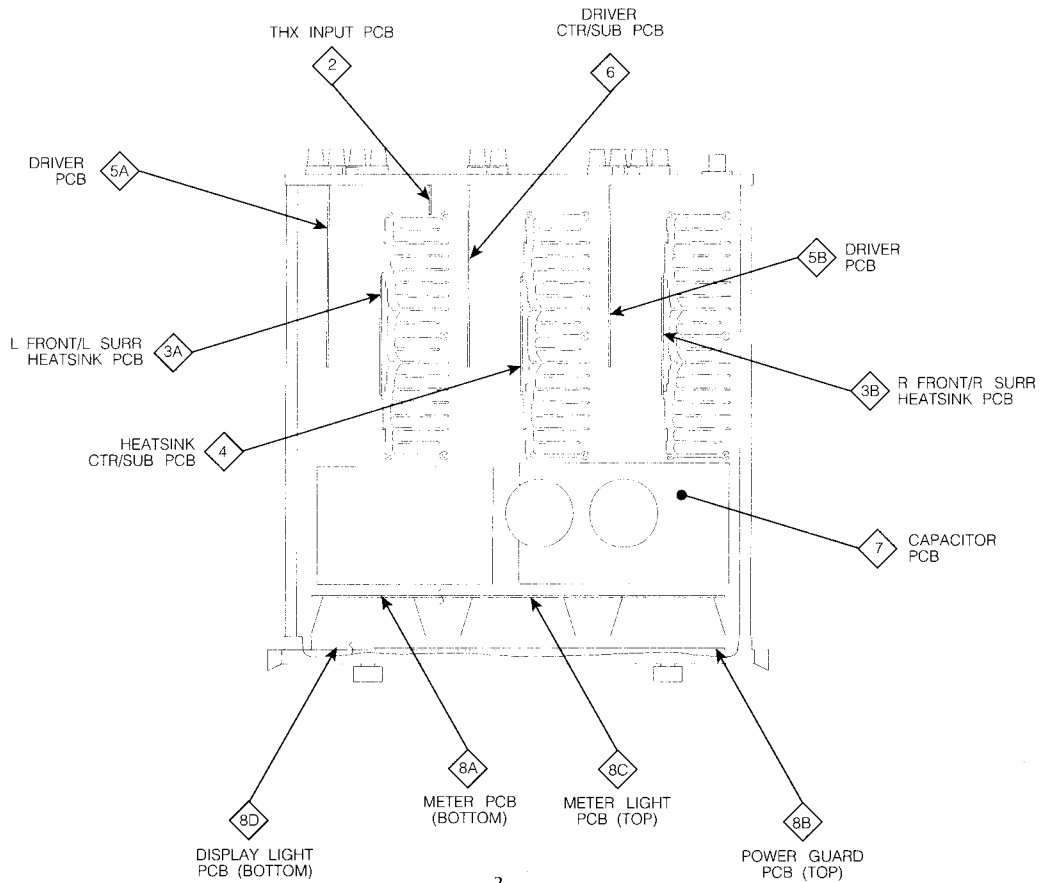
NOTES

1. The heavy lines on the schematics denote the primary signal path.
2. Unless otherwise noted, all voltages indicated on the schematics are measured under the following conditions:
 - a. AC input at 120 volts, 50/60Hz.
 - b. All voltages are +/-10% with respect to ground. A high impedance (10 megaohm) voltmeter must be used.
3. Unless otherwise specified:
 - a. Resistor values are in ohms.
 - b. Capacitor values are in microfarads (uF).
 - c. Inductor values are in microhenries (uH)
4. On PC board drawings, Square pads indicate:
 - a. Polarized Capacitors - Positive
 - b. Diode - Cathode
 - c. Others - Pin
5. **WARNING:** Parts marked with the symbol  have critical characteristics. Use only replacement parts recommended by the manufacturer.

REAR PANEL



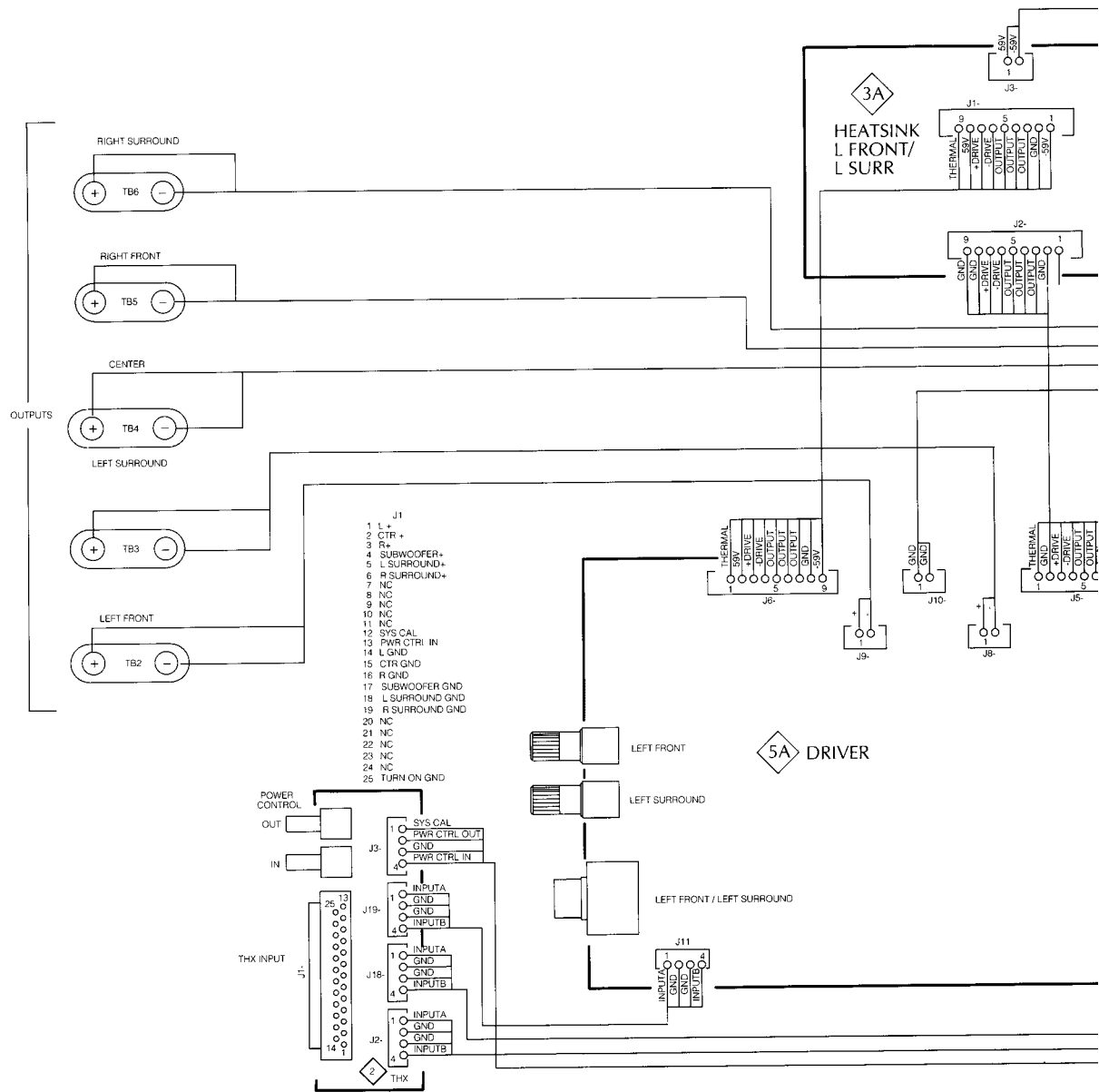
SECTION LOCATIONS

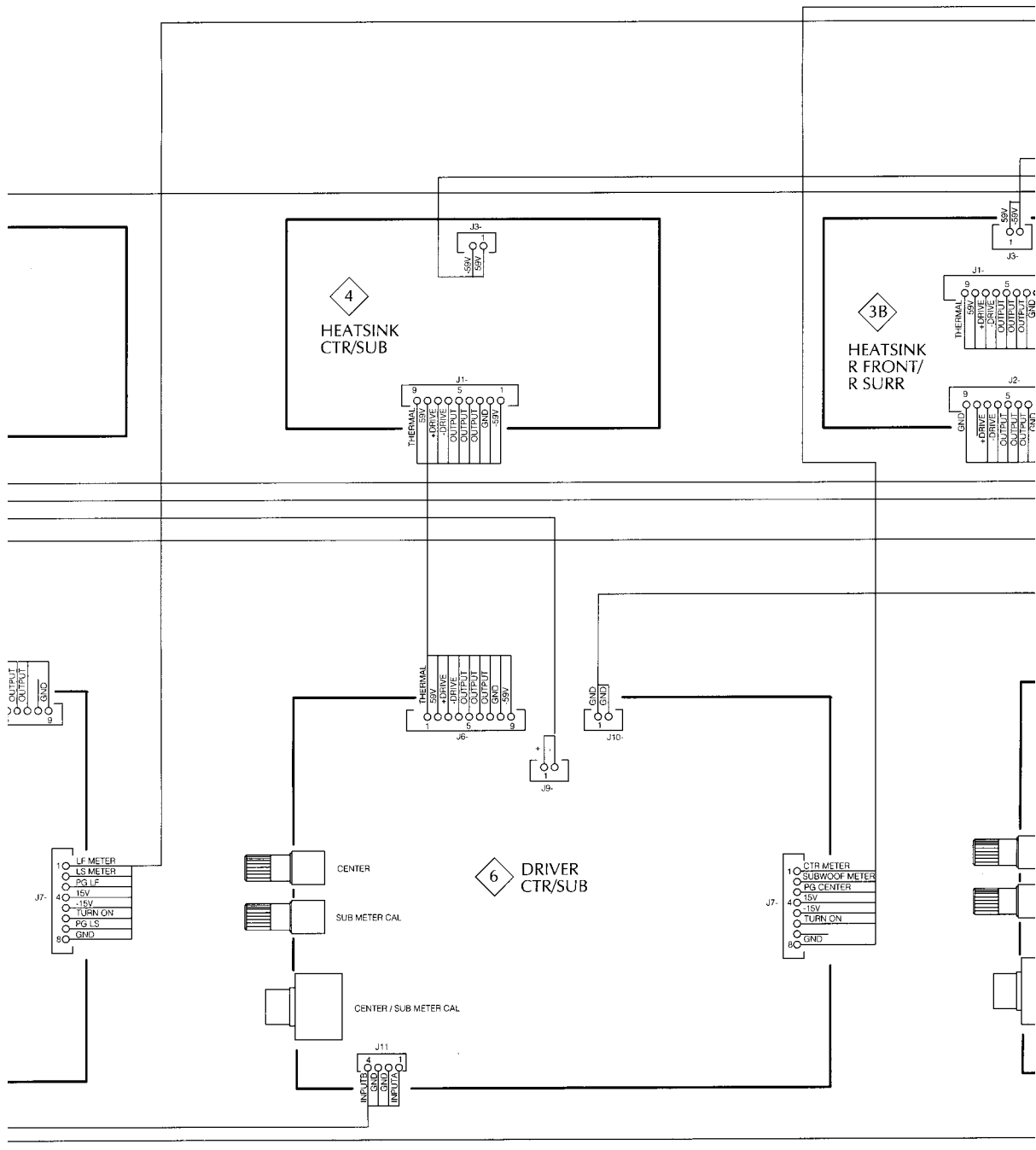


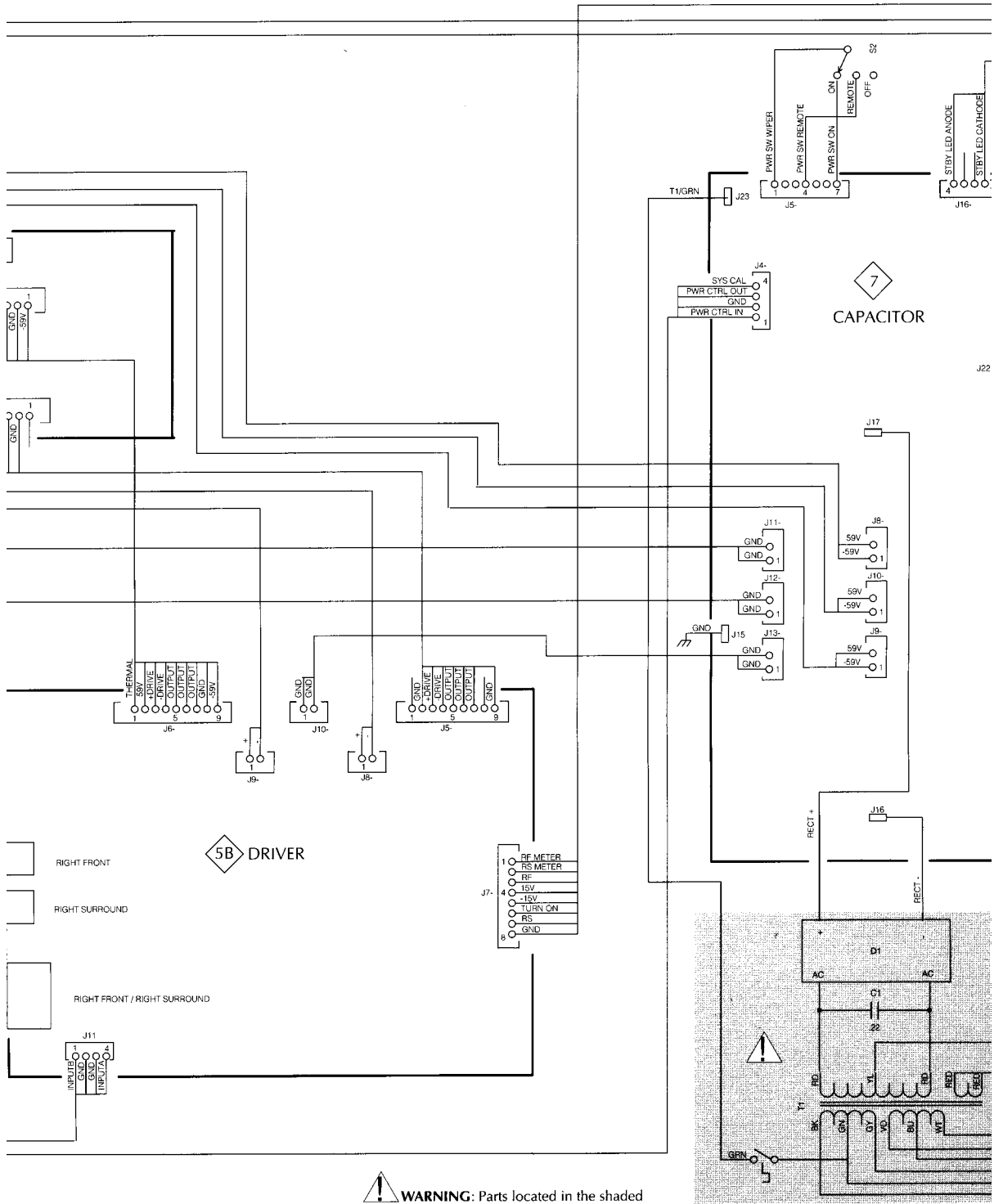
BLOCK DIAGRAM



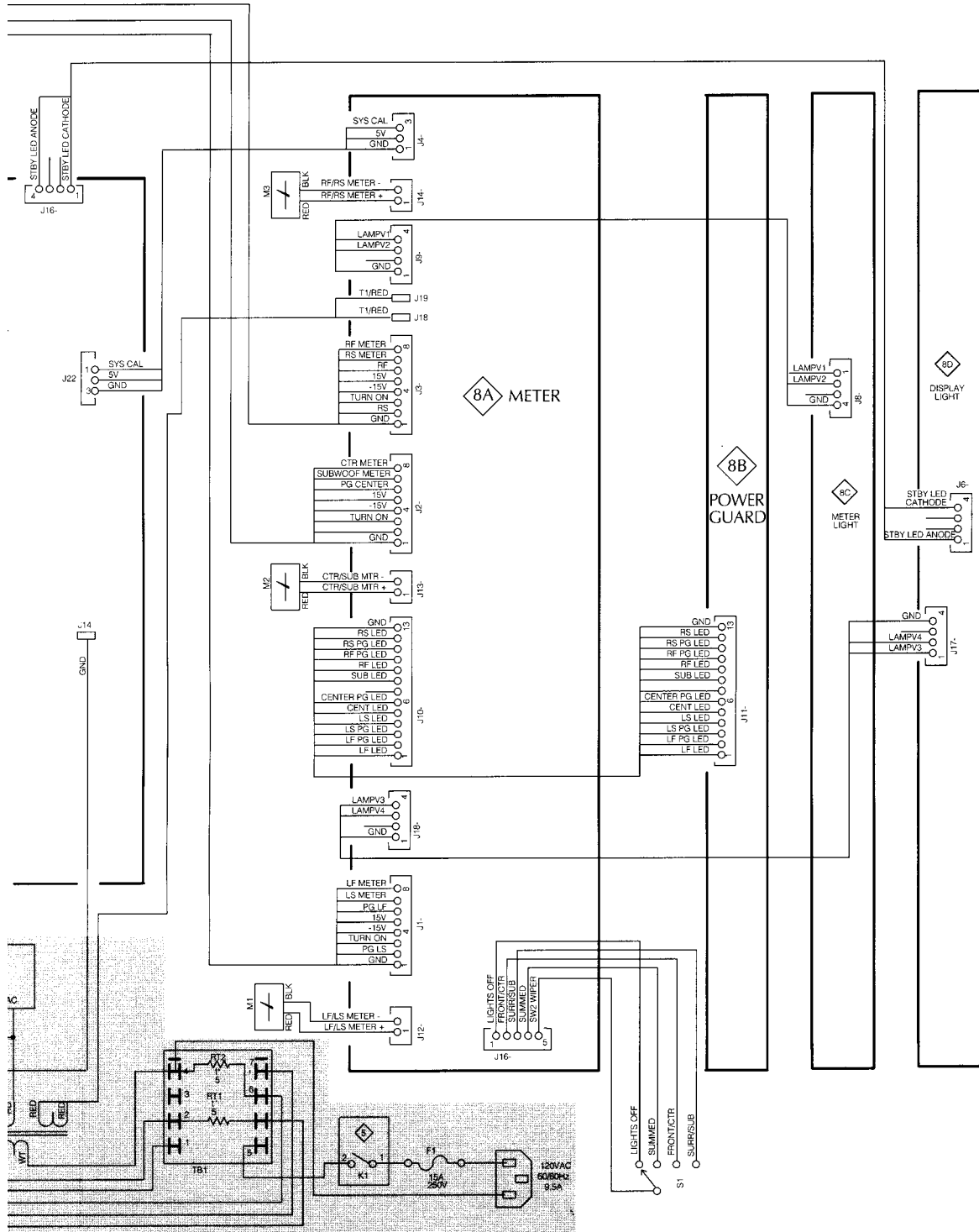
1 INTERCONNECTION DIAGRAM



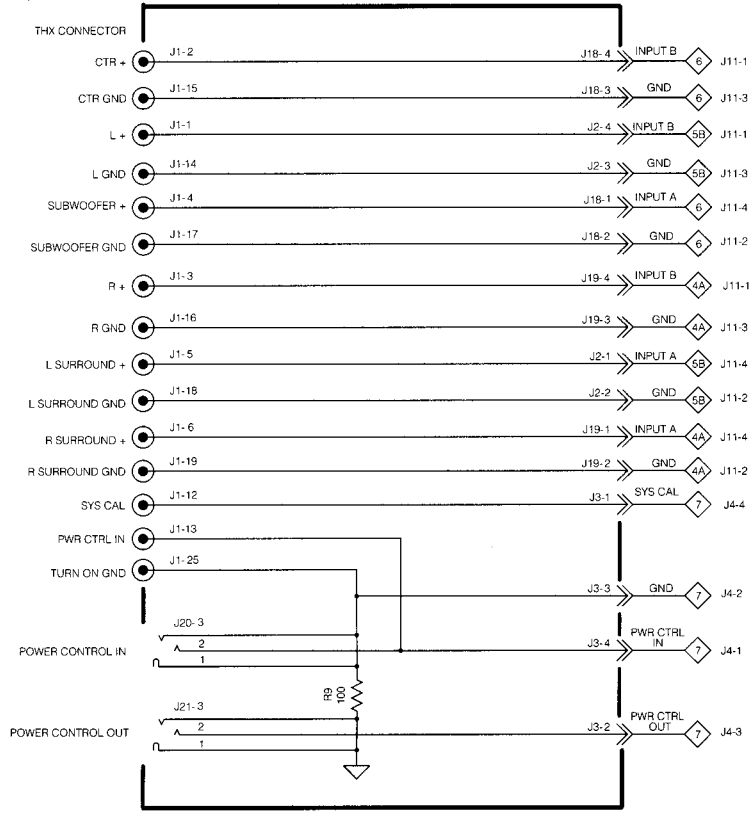




WARNING: Parts located in the shaded area have critical characteristics. Use **ONLY** replacement parts recommended by the manufacturer.



2 THX 048697

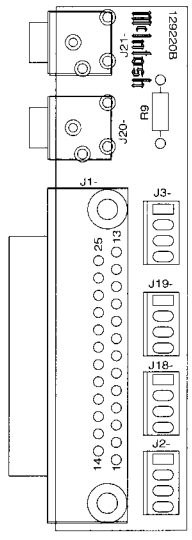


POWER CONNECTIONS	
IC1	14 = 5V 7 = GND

3a

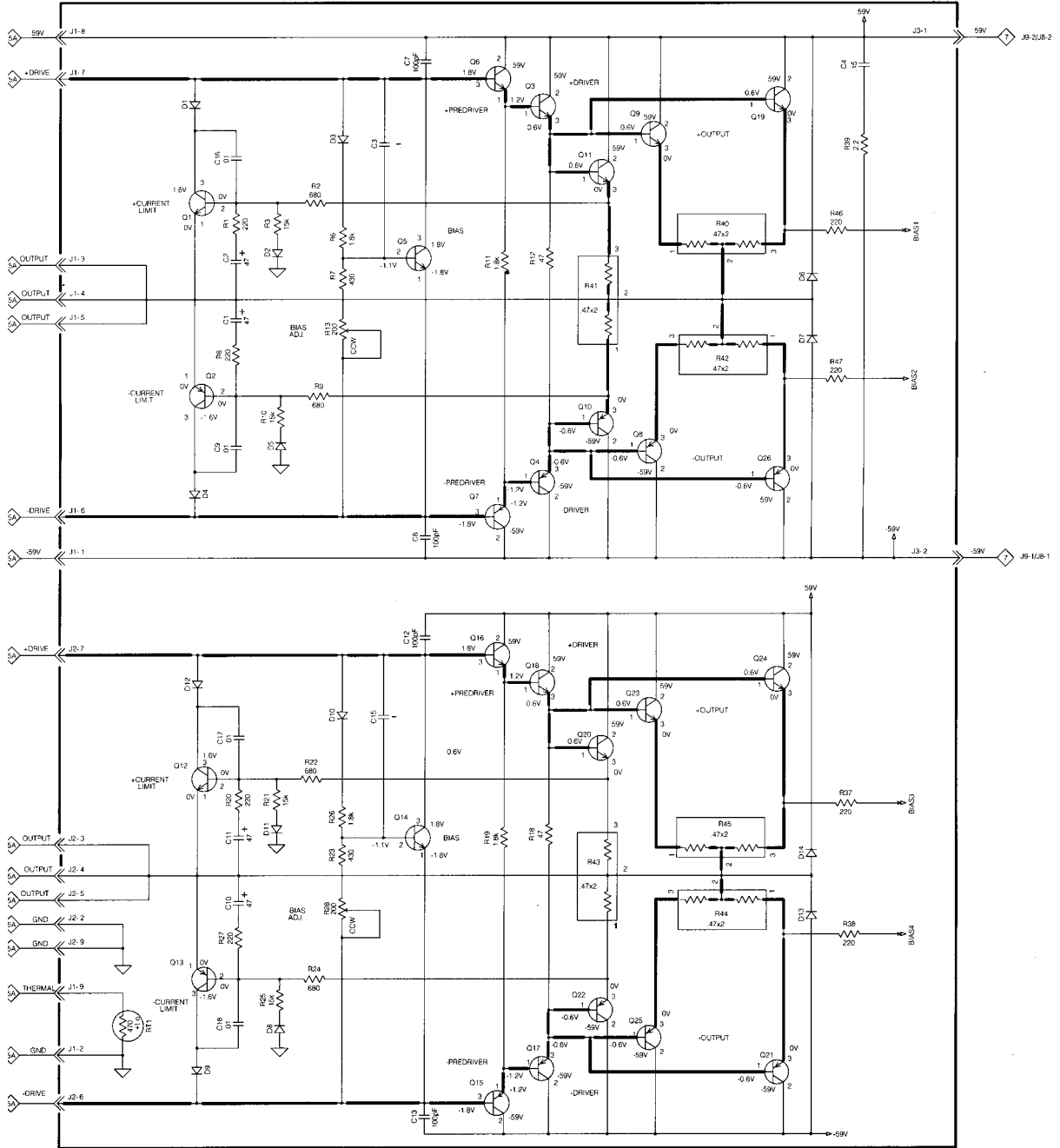
- J11-1
- J11-3
- J11-1
- J11-3
- J11-4
- J11-2
- J11-1
- J11-3
- J11-4
- J11-2
- J11-4
- J11-2
- J4-4
- J4-2
- J4-1
- J4-3

2 048697



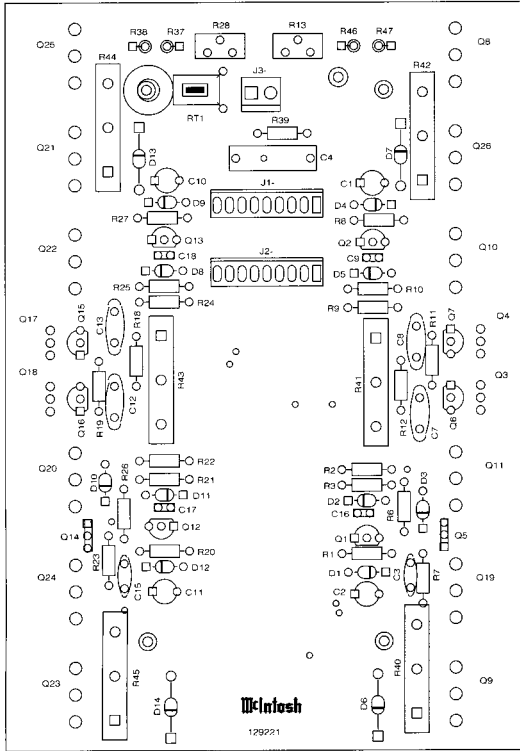
- J5-5
- J5-6
- J5-7
- J5-8
- J5-9
- J6-1
- J6-8
- J5-4

a/b **HEATSINK** L FRONT/L SURR 048968
 R FRONT/R SURR



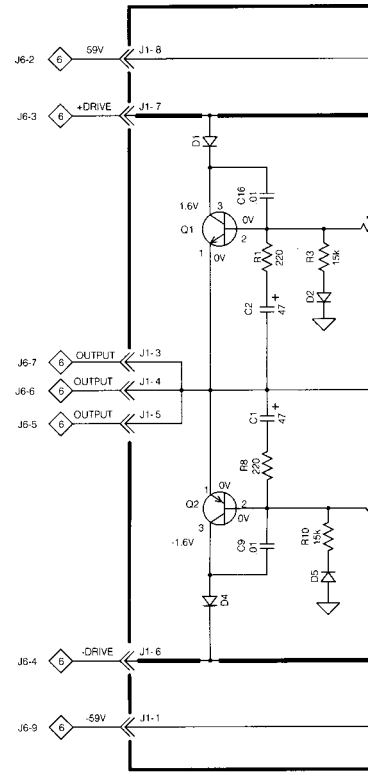
3a/b 048968

5V J9-2UB-2

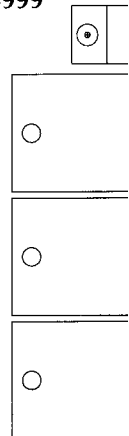


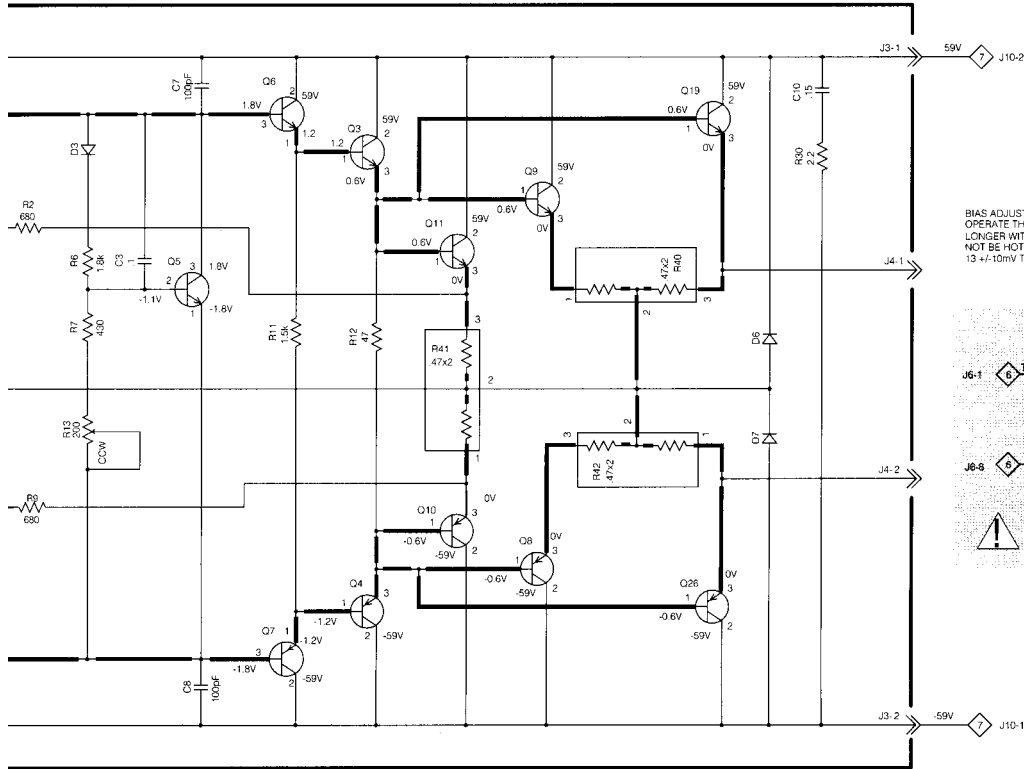
5V J9-1UB-1

4 HEATSII

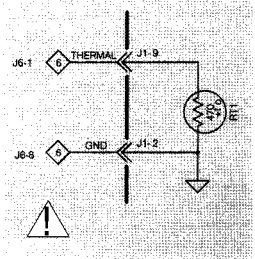


4 048999

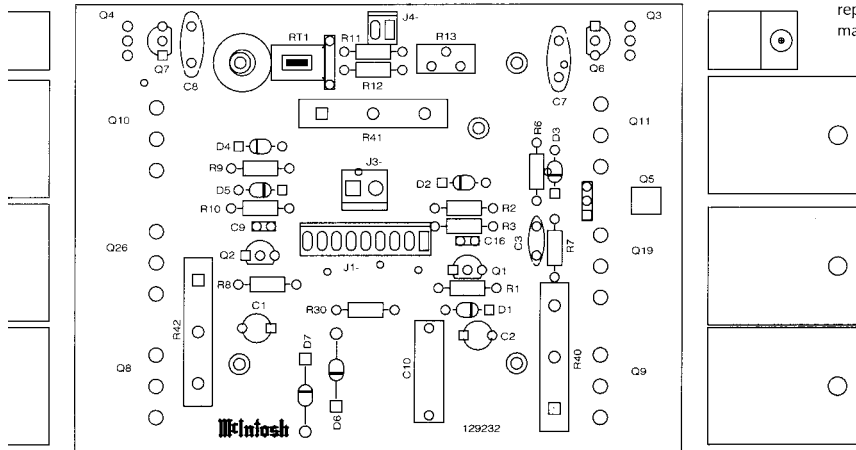




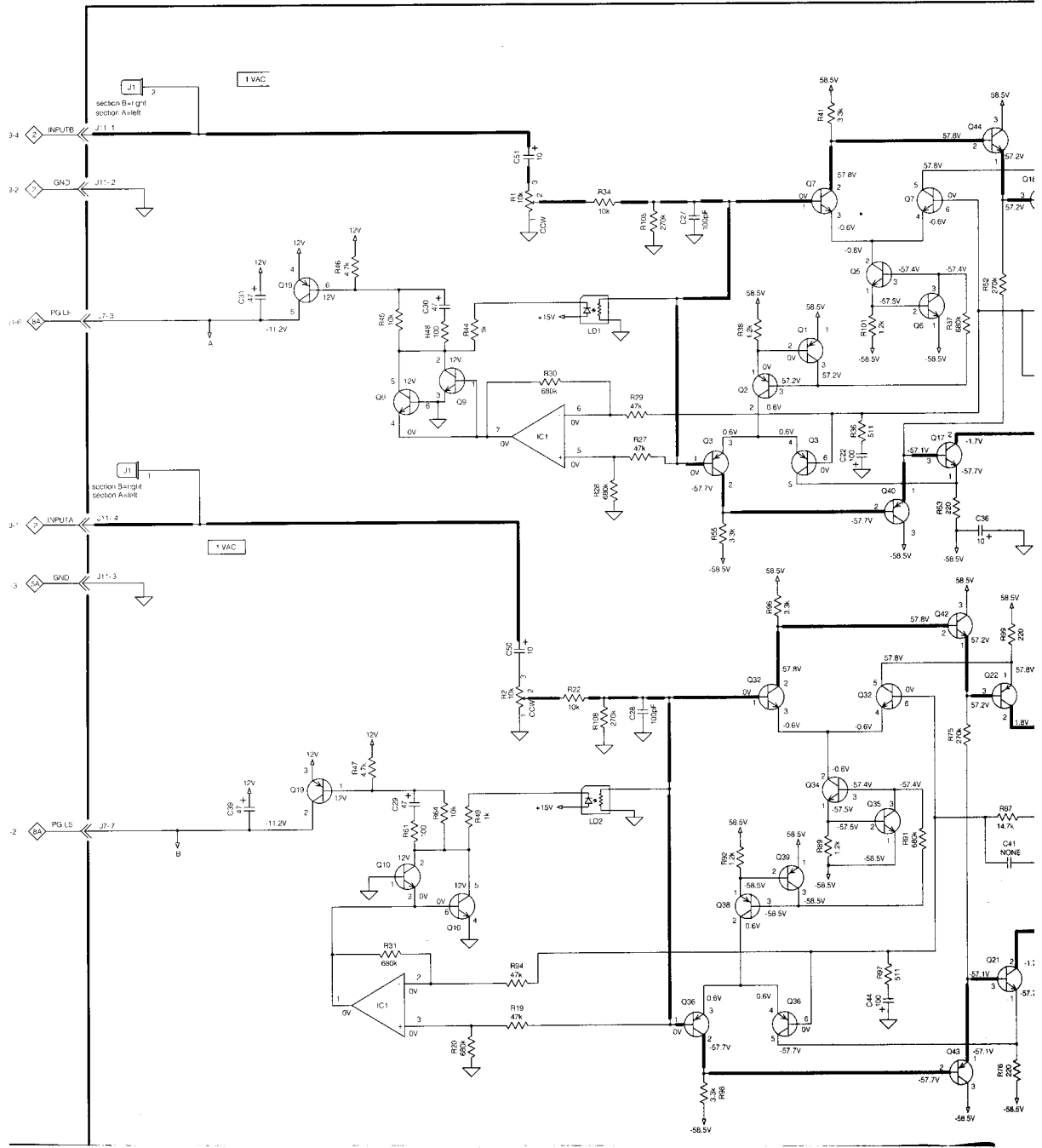
BIAS ADJUSTMENT:
OPERATE THE AMPLIFIER FOR 2 MINUTES OR
LONGER WITH NO OUTPUT. HEATSINKS MUST
NOT BE HOT. MEASURE ACROSS J4-1 AND J4-2
13 +/-10mV TO +/-15mV WITH NO LOAD ON.

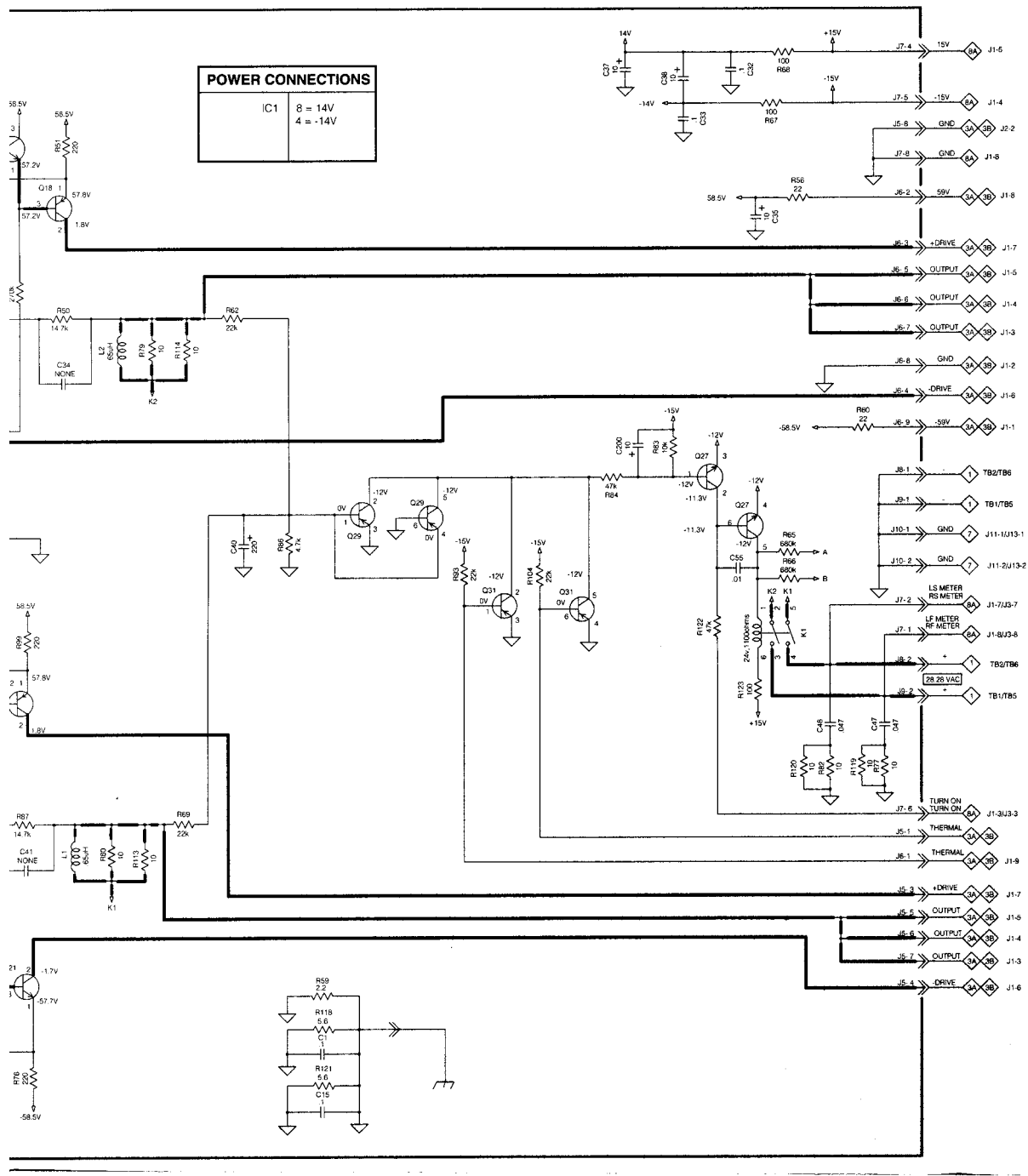


WARNING: Parts located in the shaded area have critical characteristics. Use ONLY replacement parts recommended by the manufacturer.



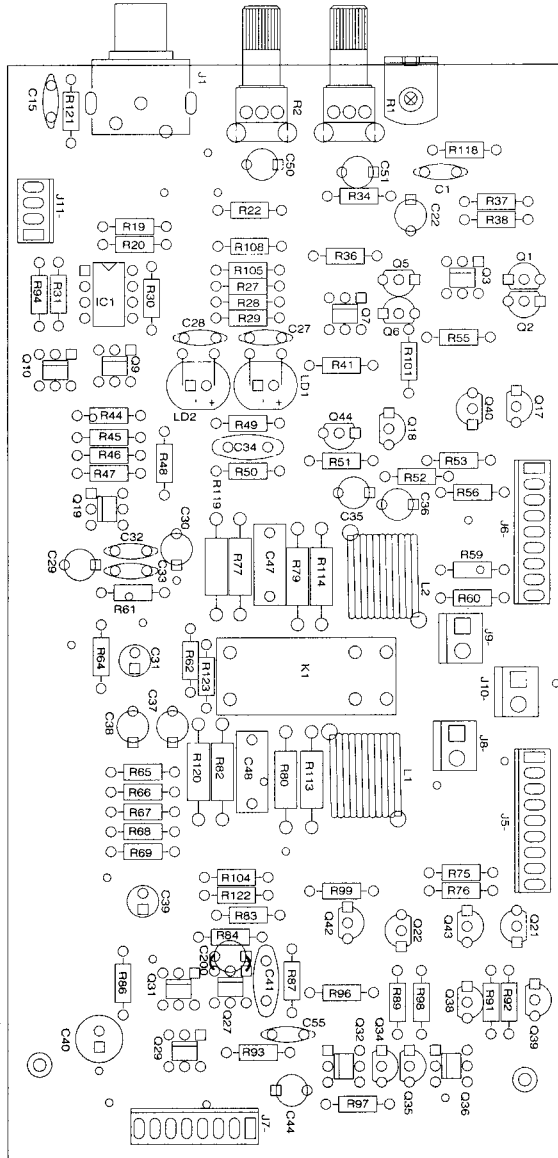
DRIVER 048969



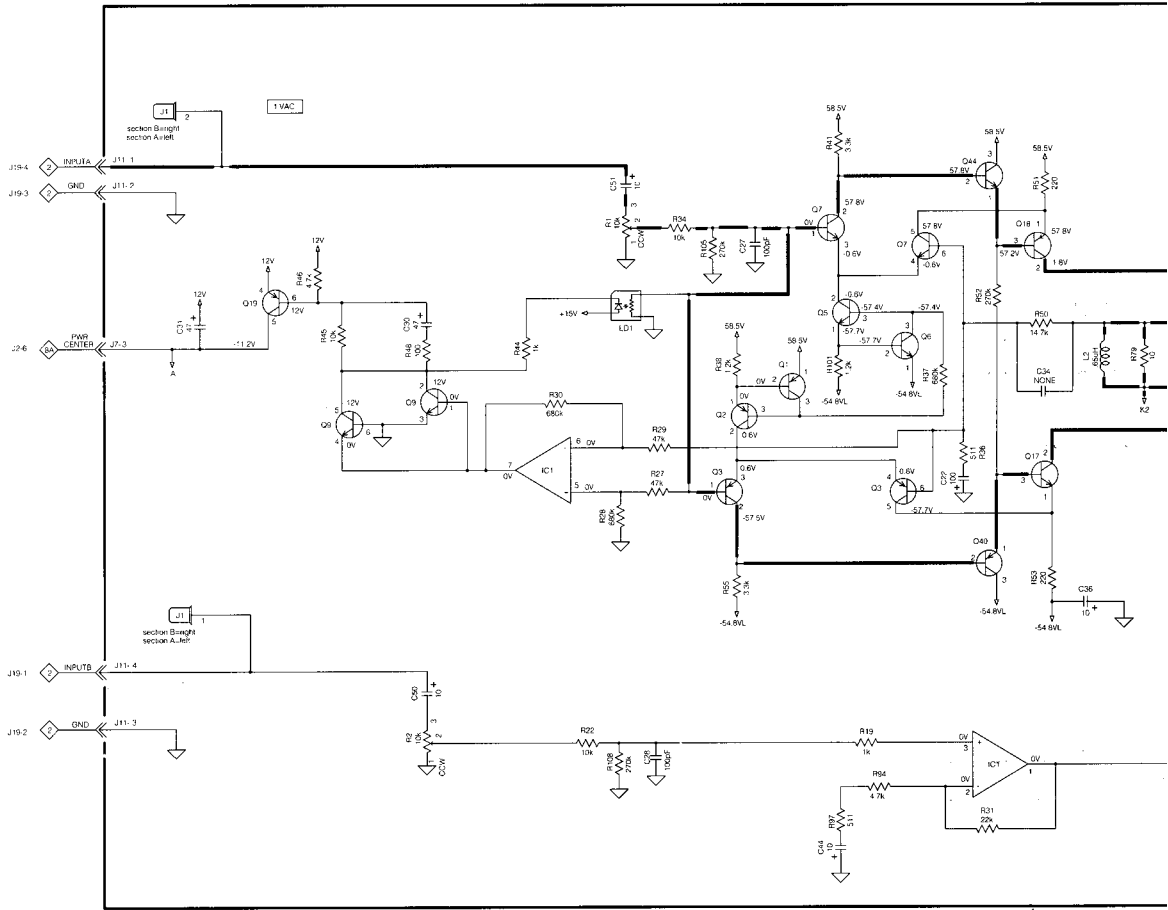


5 a/b 048969

- ▶ J1-5
- ▶ J1-4
- ▶ J2-2
- ▶ J1-8
- ▶ J1-8
- ▶ J1-7
- ▶ J1-5
- ▶ J1-4
- ▶ J1-3
- ▶ J1-2
- ▶ J1-6
- ▶ J1-1
- ▶ TB2/TB6
- ▶ TB1/TB5
- ▶ J11-10/13-1
- ▶ J11-2/13-2
- ▶ J1-7/13-7
- ▶ J1-8/13-8
- ▶ TB2/TB6
- ▶ TB1/TB5
- ▶ J1-3/13-3
- ▶ J1-9
- ▶ J1-7
- ▶ J1-5
- ▶ J1-4
- ▶ J1-3
- ▶ J1-6



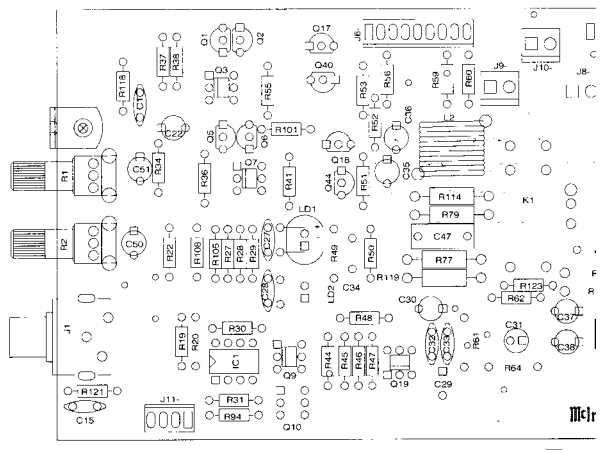
DRIVER CTR/SUB 049006

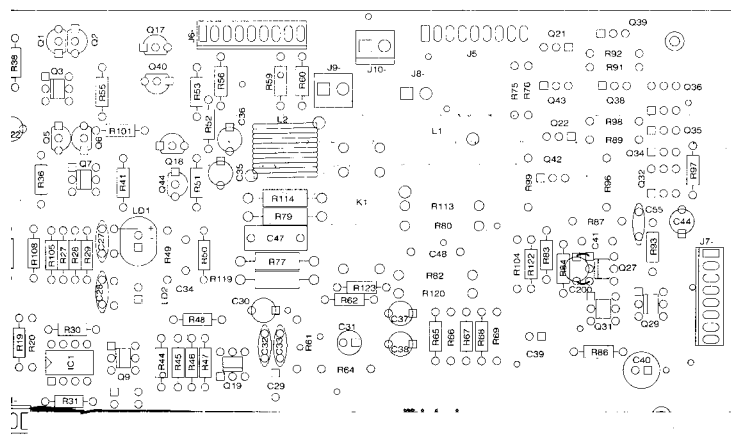
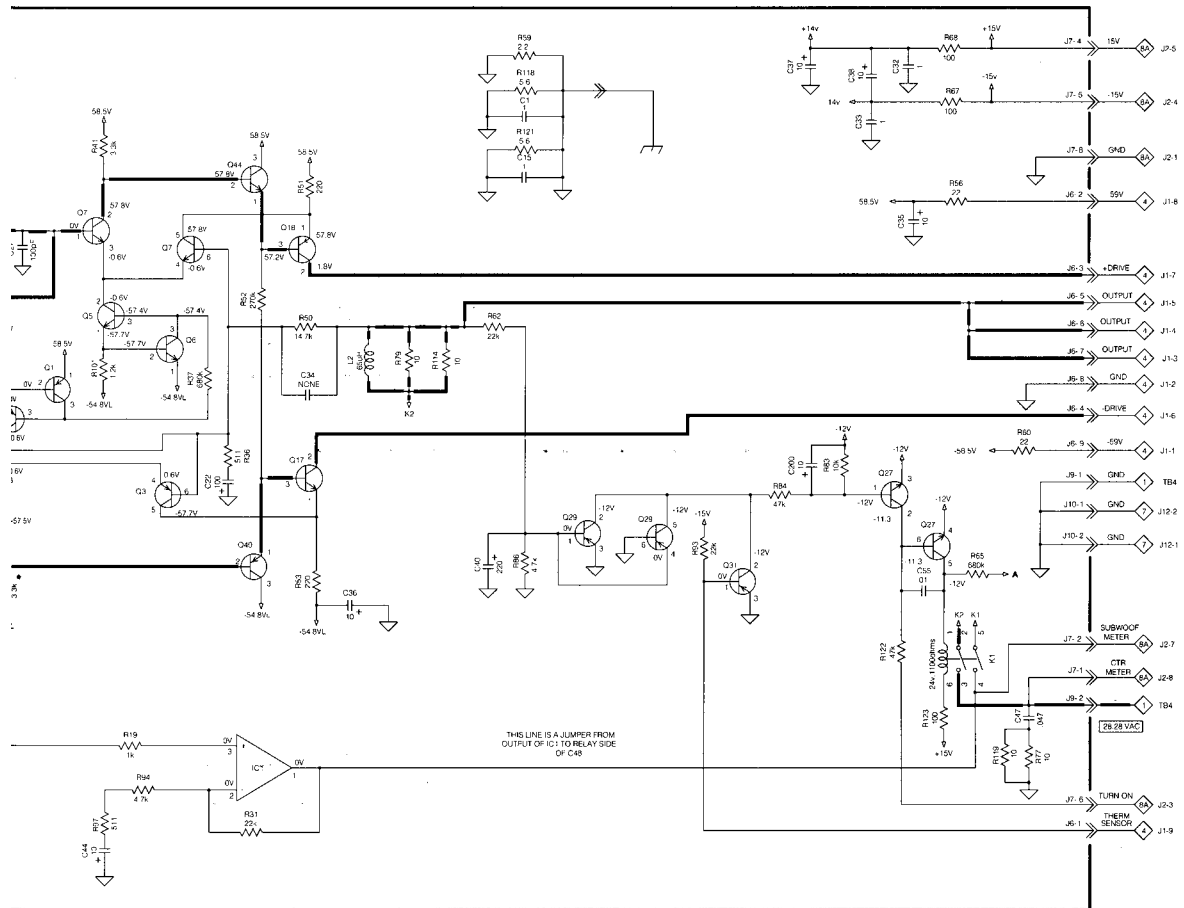


POWER CONNECTIONS	
IC1	8 = 14V
	4 = -14V

6

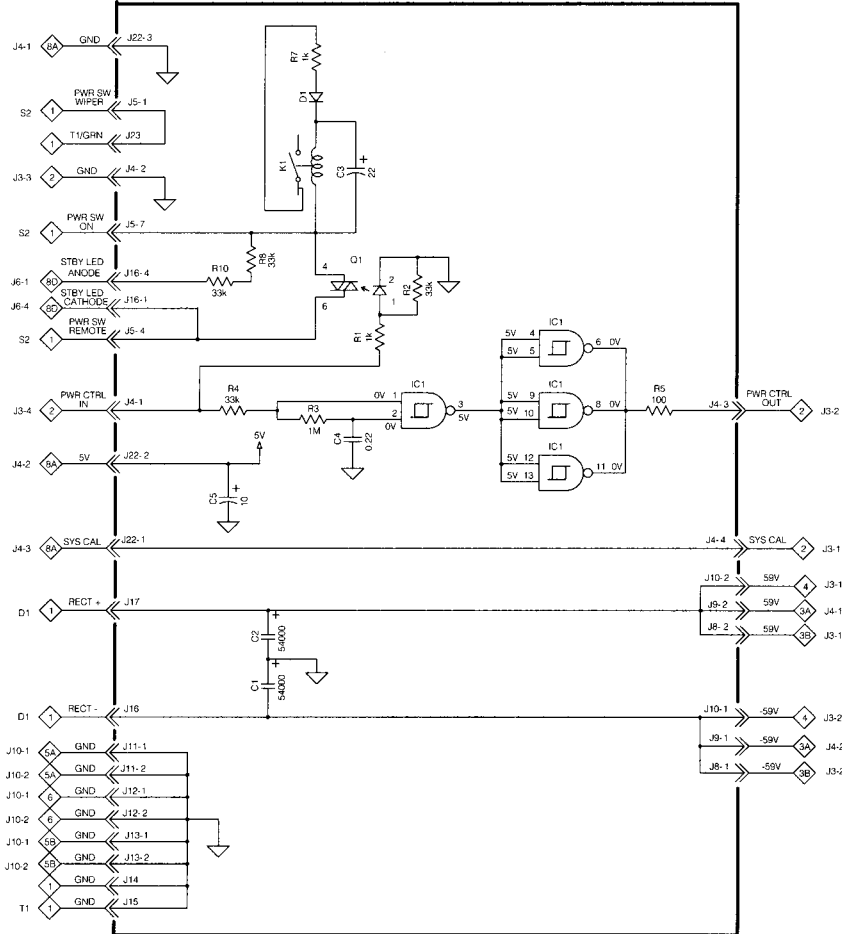
049006



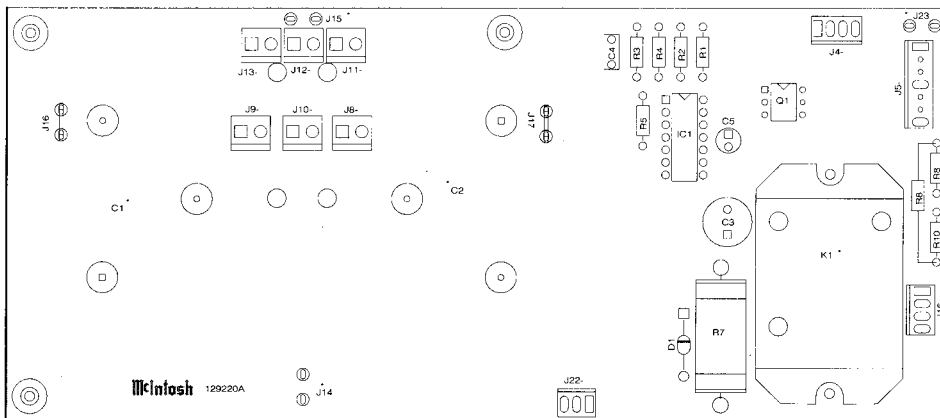


7

CAPACITOR 048967



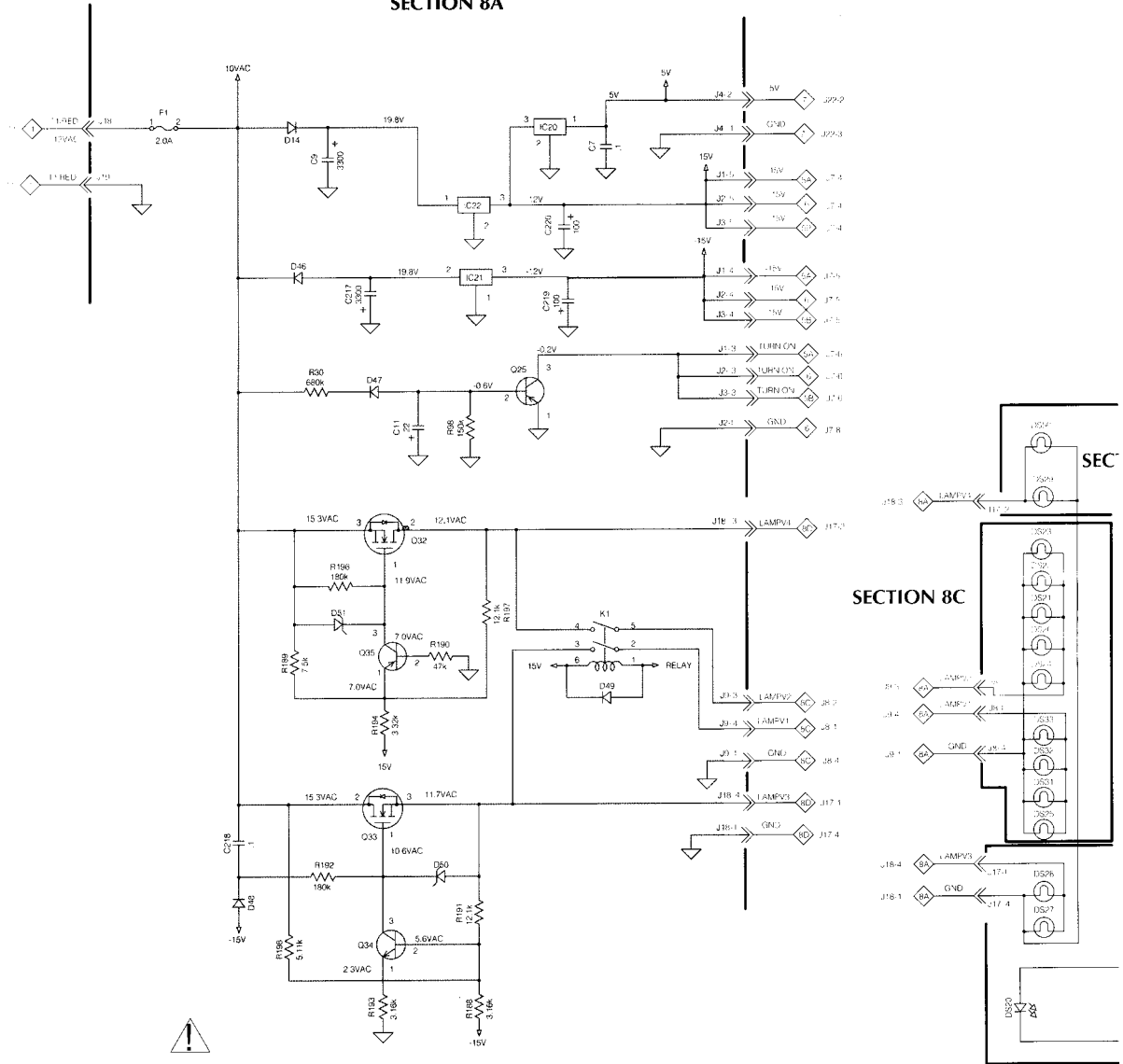
> 048967



8a/b
c/d

METER/POWER GUARD/ METER LIGHT/DISPLAY LIGHT 048970

SECTION 8A



SECTION 8C

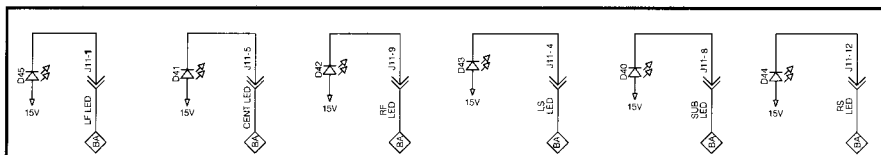


WARNING: Parts located in the shaded area have critical characteristics. Use ONLY replacement parts recommended by the manufacturer.

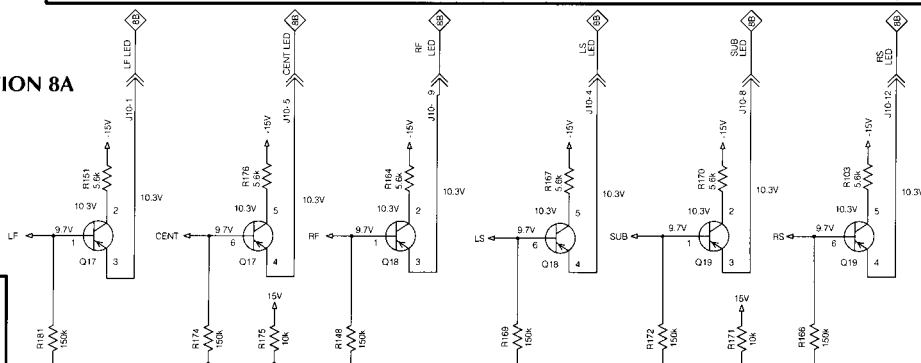
POWER CONNECTIONS

IC1,IC2,IC3	4 = 15V
	11 = -15V
IC4,IC5,IC6	14 = 15V
	7 = GND

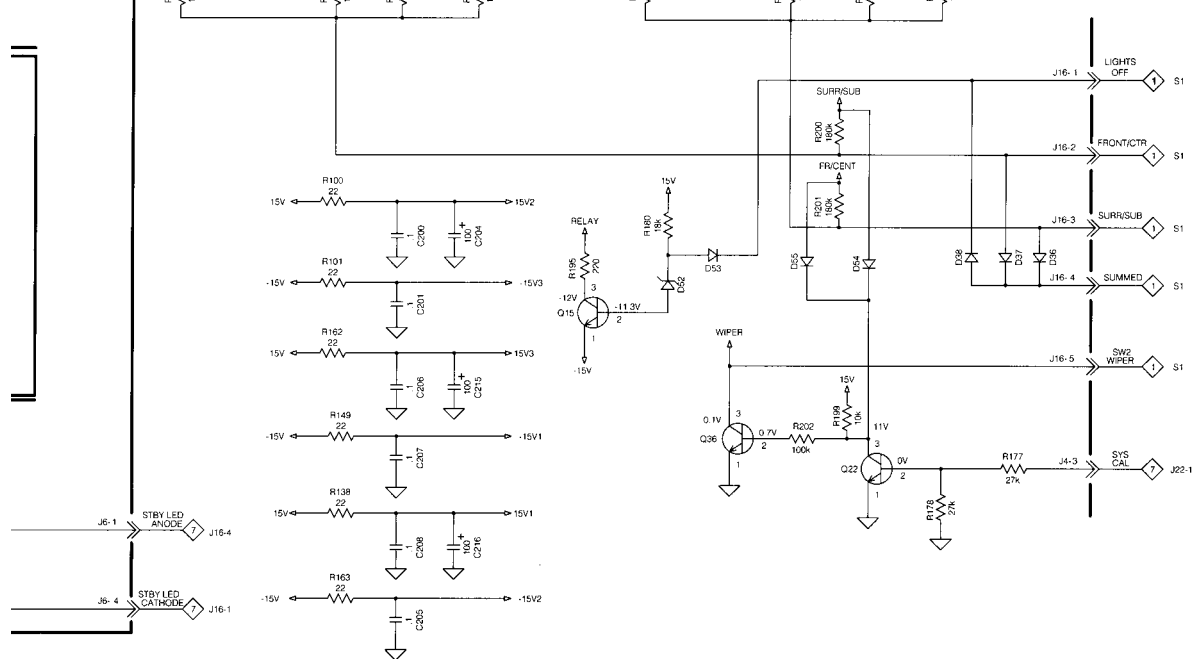
SECTION 8B



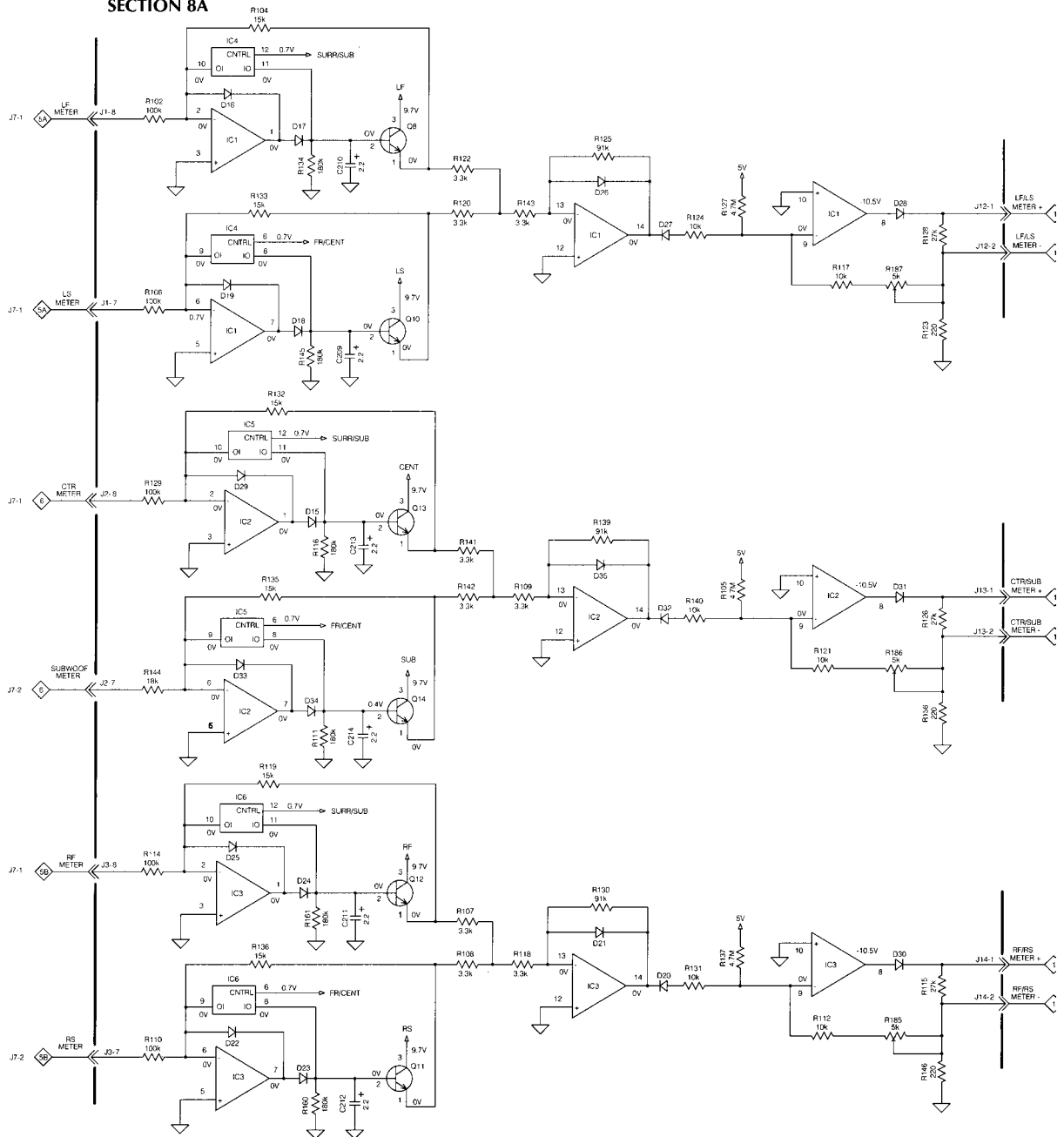
SECTION 8A



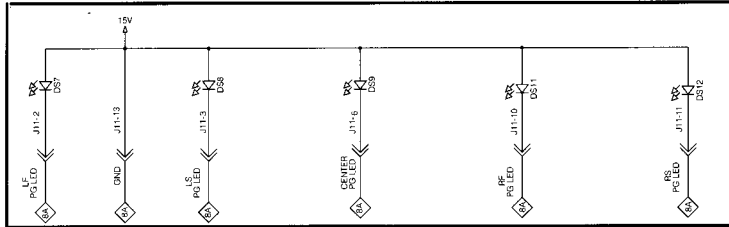
SECTION 8D



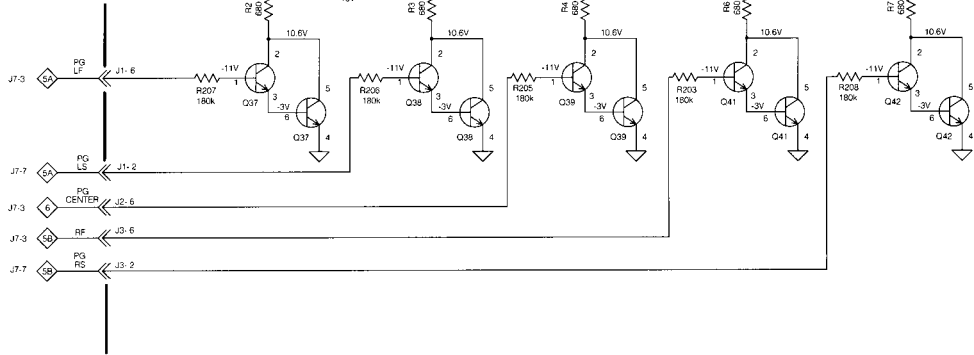
SECTION 8A



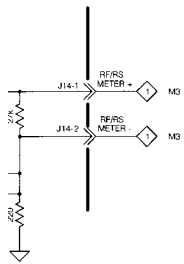
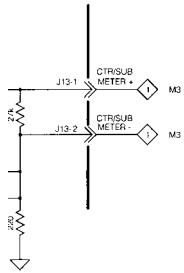
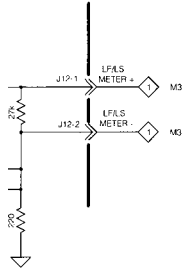
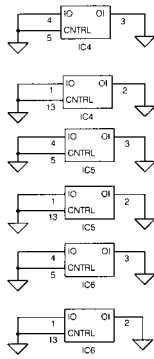
SECTION 8B



SECTION 8A



SECTION 8A



PARTS LIST

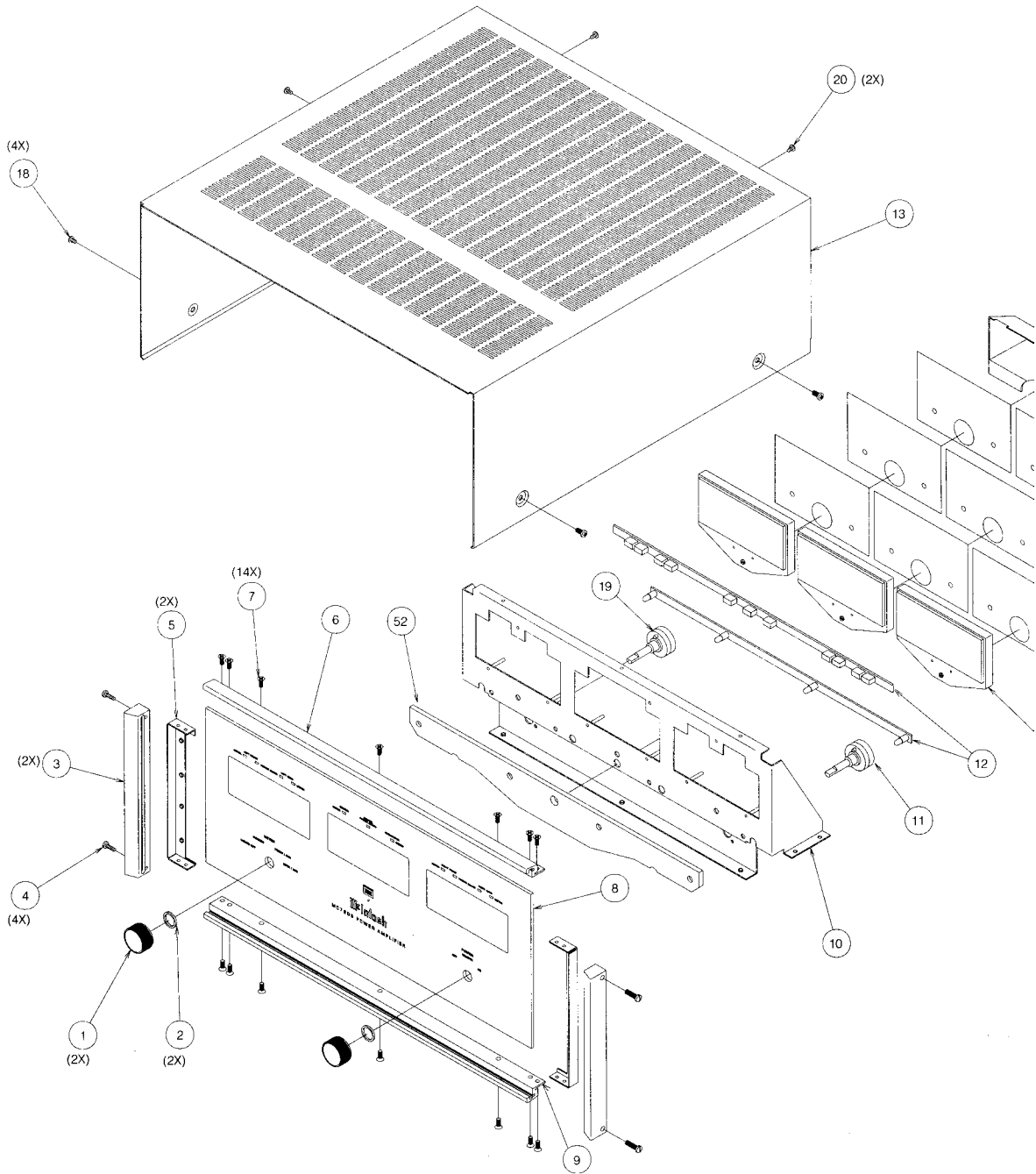
PART NO.	DESCRIPTION	REFERENCE NO.
INTERCONNECT		
04898000	TRANSFORMER	T1
05200500	.22uf CAPACITOR	C1
05200800	THERMISTOR	RT1, RT2
07013900	BRIDGE RECTIFIER	P1
07409100	TERMINAL BLOCK	TB1
08412400	SPEAKER TERMINAL	TB2-TB6
08904200	15A 250V FUSE	F1
12406400	PANEL METER	M1, M2, M3
14624300	POWER SWITCH	S2
14625000	METER SWITCH	S1
048968		
06102300	DISC CAP 100PF 10% N1500	C7 C8 C12 C13
06115000	CERAMIC CAP 0.1MF +80 -20% 50V	C3 C15
06115900	CERAMIC CAP .01MF +80 -20% 50V	C9 C16 C17 C18
06436300	CERAMIC CAP 0.15MF 250V	C4
06644600	ELECT CAP 47MF 35V AMMO PACK	C1 C2 C10 C11
07004700	SILICON DIODE 1N4148 T&R	D1 D2 D3 D4 D5 D8 D9 D10 D11 D12
07013100	DIODE RECTIFIER	D6 D7 D13 D14
11724400	FRICTION LK CONN 9 POS MALE	J1- J2-
11740400	HEADER 2-PIN 0.156	J3-
13222300	TRANSISTOR NPN MPS4124 2K/REEL	Q1 Q12
13222400	TRANSISTOR PNP SI MPS4126 2K/R	Q2 Q13
13226100	TRANSISTOR PNP	Q7 Q15
13226200	TRANSISTOR NPN	Q6 Q16
13439000	TRIM POT 200 OHM 20% HORIZ AD	R13 R28
13704200	FLAMEPROOF RES 47 OHM 5% 1/4W	R12 R18
13706500	FLAMEPROOF RES 430 OHM 5% 1/4W	R7 R23
13707000	FLAME PROOF RES 680 OHM 5% 1/4W	R2 R9 R22 R24
13708000	FLAMEPROOF RES 1.8K 5% 1/4W	R6 R11 R19 R26
13919900	WW RES DUAL .47 OHM 5W	R40 R41 R42 R43 R44 R45
14100900	RES CF 2.2 5% 1/4W	R39
14103300	RES CF 220 5% 1/4W	R1 R8 R20 R27 R37 R38 R46 R47
14107600	RES CF 15K 5% 1/4W T&R	R3 R10 R21 R25
14427900	THERMISTOR 100 OHM	RT1
048999		
06102300	DISC CAP 100PF 10% N1500	C7 C8
06115000	CERAMIC CAP 0.1MF +80 -20% 50V	C3
06115900	CERAMIC CAP .01MF +80 -20% 50V	C9 C16
06436300	POLYPROPYPY CAP 0.15MF 250V	C10
06644600	ELECT CAP 47MF 35V AMMO PACK	C1 C2
07004700	SILICON DIODE 1N4148 T&R	D1 D2 D3 D4 D5
07013100	DIODE RECTIFIER	D6 D7
11721300	2-PIN MALE CONNECTOR	J4-
11724400	FRICTION LK CONN 9 POS MALE	J1-
11740400	HEADER 2-PIN 0.156	J3-
13222300	TRANSISTOR NPN MPS4124 2K/REEL	Q1
13222400	TRANSISTOR PNP SI MPS4126 2K/R	Q2
13226100	TRANSISTOR PNP	Q7
13226200	TRANSISTOR NPN	Q6
13439000	TRIM POT 200 OHM 20% HORIZ AD	R13
13704200	FLAMEPROOF RES 47 OHM 5% 1/4W	R12
13706500	FLAMEPROOF RES 430 OHM 5% 1/4W	R7
13707000	FLAMEPROOF RES 680 OHM 5% 1/4W	R2 R9
13707800	FLAMEPROOF 1500 OHMS 5% 1/4W	R11
13708000	FLAMEPROOF RES 1.8K 5% 1/4W	R6
13919900	WW RES DUAL .47 OHM 5W	R40 R41 R42
14100900	RES CF 2.2 5% 1/4W	R30
14103300	RES CF 220 5% 1/4W	R1 R8
14107600	RES CF 15K 5% 1/4W T&R	R3 R10
14427900	THERMISTOR 100 OHM	RT1

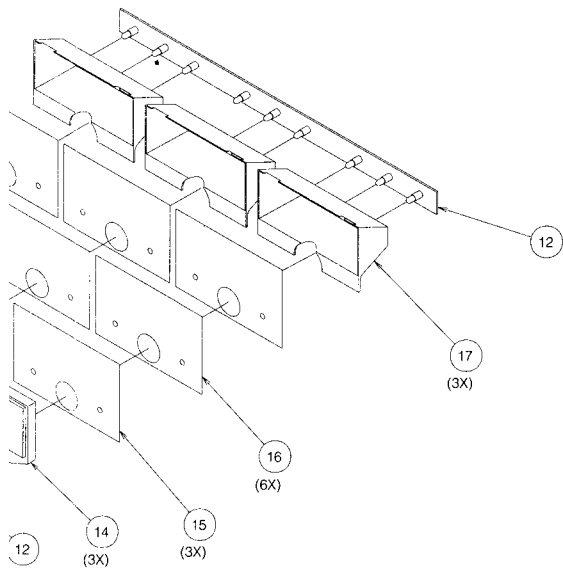
PART NO.	DESCRIPTION	REFERENCE NO.
048969		
06115907	DISC CAP .01MF	C55
06119900	DISC CAP 100PF 10% N1500 50V	C27 C28
06124800	DISC CAP .1MF 25V Y5T	C1 C15 C32 C33
06436400	POLYPROPY CAP .047MF 250V	C47 C48
06624400	ELECT CAP 0.47MF 50V ALUM	C31 C39
06633000	ELECT CAP 220MF 16V SHORT CAN	C40
06644500	ELECT CAP 10MF	C200
06644600	ELECT CAP 47MF 35V AMMO PACK	C29 C30
06644700	ELECT CAP 100MF 16V AMMO PACK	C22 C44
06646200	ELECT CAP 10UF 100VDC AMMO	C35 C36 C37 C38 C50 C51
08705700	RELAY	K1
11721500	4-PIN CONNECTOR	J11-
11724400	FRICITION LK CONN 9 POS MALE	J5- J6-
11727500	FRICITION LK CONN 8-POS MALE	J7
11740400	HEADER 2-PIN 0.156	J8- J9- J10-
11743600	PJ261G PHONO JACK GOLD	J1
12229700	CHOKE OUTPUT .65UH	L1 L2
13222300	TRANSISTOR NPN MPS4124 2K/REEL	Q6 Q35 Q42 Q44
13222400	TRANSISTOR PNP SI MPS4126 2K/R	Q1 Q39 Q40 Q43
13225000	TRANSISTOR DUAL NPN 120 OBSOLETE	Q7 Q32
13225100	TRANSISTOR DUAL PNP 120V OBSOLETE	Q3 Q36
13225200	TRANSISTOR DUAL NPN 50V OBSOLETE	Q9 Q10 Q27
13225300	TRANSISTOR DUAL PNP 50V OBSOLETE	Q19 Q29 Q31
13225400	TRANSISTOR NPN	Q5 Q34
13225500	TRANSISTOR PNP 2SA1016K	Q2 Q38
13226100	TRANSISTOR PNP	Q18 Q22
13226200	TRANSISTOR NPN	Q17 Q21
13326000	DUAL OPERATIONAL AMPLIFIER	IC1
13448600	GAIN CONTROL 10K OHM	R1 R2
13703300	FLAMEPROOF RES 22 OHM 1/4W 5%	R56 R60
14100900	RES CF 2.2 5% 1/4W	R59
14101900	RES CF 5.6 5% 1/4W T&R	R118 R121
14102500	RES CF 100 5% 1/4W	R48 R61 R67 R68 R123
14103300	RES CF 220 5% 1/4W	R51 R53 R76 R99
14104900	RES CF 1.0K 5% 1/4W T&R	R44 R49
14105100	RES CF 1.2K 5% 1/4W T&R	R38 R89 R92 R101
14106000	RES CF 3.3K 5% 1/4W T&R	R41 R55 R96 R98
14106400	RES CF 4.7K 5% 1/4W T&R	R46 R47 R86
14107200	RES CF 10K 5% 1/4W T&R	R22 R34 R45 R64 R83
14108000	RES CF 22K 5% 1/4W T&R	R62 R69 R93 R104
14108800	RES CF 47K 5% 1/4W T&R	R19 R27 R29 R84 R94 R122
14110600	RES CF 270K 5% 1/4W T&R	R52 R75 R105 R108
14111600	RES CF 680K 5% 1/4W T&R	R20 R28 R30 R31 R37 R65 R66 R91
14116500	RES CF 10 5% 1/2W R77	R79 R80 R82 R113 R114 R119 R120
14412300	511 OHMS 1% 1/4W	R36 R97
14414900	METAL FILM RES 14.7K 1% 1/4W	R50 R87
14417900	RESISTOR LDR VTL5C9	LD1 LD2
049006		
06115907	DISC CAP .01MF	C55
06119900	DISC CAP 100PF 10% N1500 50V	C27 C28
06124800	DISC CAP .1MF 25V Y5T	C1 C15 C32 C33
06436400	POLYPROPY CAP .047MF 250V	C47
06624400	ELECT CAP .47MF 50V ALUM	C31
06633000	ELECT CAP 220MF 16V SHORT CAN	C40
06644500	ELECT CAP 10MF	C200
06644600	ELECT CAP 47MF 35V AMMO PACK	C30
06644700	ELECT CAP 100MF 16V AMMO PACK	C22
06646200	ELECT CAP 10UF 100VDC AMMO	C35 C36 C37 C38 C44 C50 C51
08705700	RELAY	K1
11721500	4-PIN CONNECTOR	J11-
11724400	FRICITION LK CONN 9 POS MALE	J6-

PART NO.	DESCRIPTION	REFERENCE NO.
11727500	FRICTION LK CONN 8-POS MALE	J7-
11740400	HEADER 2-PIN 0.156	J9- J10-
11743600	PJ261G PHONO JACK GOLD	J1
12229700	CHOKO OUTPUT .65UH	L2
13222300	TRANSISTOR NPN MPS4124 2K/REEL	Q6 Q44
13222400	TRANSISTOR PNP SI MPS4126 2K/R	Q1 Q40
13225000	TRANSISTOR DUAL NPN 120 OBSOLETE	Q7
13225100	TRANSISTOR DUAL PNP 120V OBSOLETE	Q3
13225200	TRANSISTOR DUAL NPN 50V OBSOLETE	Q9 Q27
13225300	TRANSISTOR DUAL PNP 50V OBSOLETE	Q19 Q29 Q31
13225400	TRANSISTOR NPN	Q5
13225500	TRANSISTOR PNP 2SA1016K	Q2
13226100	TRANSISTOR PNP	Q18
13226200	TRANSISTOR NPN 2SC2705	Q17
13326000	DUAL OPERATIONAL AMPLIFIER	IC1
13448600	GAIN CONTROL 10K OHM	R1 R2
13703300	FLAMEPROOF RES 22 OHM 1/4W 5%	R56 R60
14100900	RES CF 2.2 5% 1/4W	R59
14101900	RES CF 5.6 5% 1/4W T&R	R118 R121
14102500	RES CF 100 5% 1/4W	R48 R67 R68 R123
14103300	RES CF 220 5% 1/4W	R51 R53
14104900	RES CF 1.0K 5% 1/4W T&R	R19 R44
14105100	RES CF 1.2K 5% 1/4W T&R	R38 R101
14106000	RES CF 3.3K 5% 1/4W T&R	R41 R55
14106400	RES CF 4.7K 5% 1/4W T&R	R46 R86 R94
14107200	RES CF 10K 5% 1/4W T&R	R22 R34 R45 R83
14108000	RES CF 22K 5% 1/4W T&R	R31 R62 R93
14108800	RES CF 47K 5% 1/4W T&R	R27 R29 R84 R122
14110600	RES CF 270K 5% 1/4W T&R	R52 R105 R108
14111600	RES CF 680K 5% 1/4W T&R	R28 R30 R37 R65
14116500	RES CF 10 5% 1/2W	R77 R79 R114 R119
14412300	511 OHMS 1% 1/4W	R36 R97
14414900	METAL FILM RES 14.7K 1% 1/4W	R50
14417900	RESISTOR LDR VTL5C9	LD1
048967		
06432900	M POLY CAP 0.22UF 5%	C4
06622100	ELECT CAP 10MF 50V SINGLE END	C5
06639000	ELECT CAP 22MF 100V 100TWMS22M	C3
07013100	DIODE RECTIFIER	D1
08704900	RELAY 48VDC VFB48HU ITT TAKAMI	K1
11721400	MALE CONN 3-POS MTS100 NORMAL	J22-
11721500	4-PIN CONNECTOR	J2- J3- J4- J16- J18- J19-
11721700	MALE CONN 7-PIN	J5-
11734200	1/4 IN FASTON BLADE	J14 J15 J16 J17 J23
11740400	HEADER 2-PIN 0.156	J8- J9- J10- J11- J12- J13-
11749400	MINI JACK	J20- J21-
11750100	D CONN 25-PIN	J1-
13102200	600V TRIAC DRIVER OPTOCOUPLER	Q1
13319200	IC NAND SCHMIT 2IN X 4	IC1
13912100	WIREWOUND RESISTOR 1K 5W 10%	R7
14102500	RES CF 100 5% 1/4W	R5 R9
14104900	RES CF 1.0K 5% 1/4W T&R	R1
14108400	RES CF 33K 5% 1/4W T&R	R2 R4 R8 R10
14112000	RES CF 1.0M 5% 1/4W	R3
048970		
01749200	LED SPACER 3/8 LG	DS21 DS22 DS23 DS24 DS25 DS26 DS27
05812000	LAMP 14V #7373	DS28 DS29 DS31 DS32 DS33 DS50
05813300	AMBER LED	DS7 DS8 DS9 DS11 DS12
05813900	LED BAR RED	D40 D41 D42 D43 D44 D45

PART NO.	DESCRIPTION	REFERENCE NO.
05814800	RED LED HIGH EFFICIENCY	DS20
06124800	DISC CAP .1MF 25V Y5T	C7 C200 C201 C205 C206 C207 C208 C218
06623700	ELECT CAP 2.2UF 50V ALUM	C209 C210 C211 C212 C213 C214
06634500	ELECT CAP 22MF 16V	C11
06637200	ELECT CAP 3300MF 25V	C9 C217
06644700	ELECT CAP 100MF 16V AMMO PACK	C204 C215 C216 C219 C220
07004700	SILICON DIODE 1N4148 T&R	D15 D16 D17 D18 D19 D20 D21 D22 D23 D24 D25 D26 D27 D28 D29 D30 D31 D32 D33 D34 D35 D36 D37 D38 D47 D48 D49 D53 D54 D55 D50 D51 D52 D14 D46
07011400	ZENER DIODE 16V 5% 500MW	K1
07013100	DIODE RECTIFIER	F1
08705700	RELAY	J4-
08908900	FUSE 2A SLO-BLO 5X20	J6- J8- J9- J17- J18-
11721400	MALE CONN 3-POS MTS100 NORMAL	J16-
11721500	4-PIN CONNECTOR	J1- J2- J3-
11721600	MALE CONN 5-PIN 0.1 POST ASSY	J10- J11-
11727500	FRICTION LK CONN 8-POS MALE	J18 J19
11729800	13-POS CONNECTOR	J12- J13- J14-
11734200	1/4IN FASTON BLADE	Q8 Q10 Q11 Q12 Q13 Q14 Q15 Q22 Q34 Q36 Q25 Q35
11769000	2-PIN HEADER .100	Q32 Q33
13222300	TRANSISTOR NPN MPS4124 2K/REEL	Q37 Q38 Q39 Q41 Q42 Q17 Q18 Q19
13222400	TRANSISTOR PNP SI MPS4126 2K/R	IC20
13224200	TRANSISTOR POWER N-CHN ENHANCE	IC4 IC5 IC6
13225200	TRANSISTOR DUAL NPN 50V OBSOLETE	IC21
13225300	TRANSISTOR DUAL PNP 50V OBSOLETE	IC22
13309300	IC REGULATOR +5V	IC1 IC2 IC3
13311700	CD4066 QUAD ANALOG SW	R185 R186 R187
13315500	IC REGULATOR -12V	R123 R146 R156 R195
13315600	IC REGULATOR 12V	R2 R3 R4 R6 R7
13331200	IC QUAD OPAMP NJM4741D	R107 R108 R109 R118 R120 R122 R141 R142 R143
13438700	TRIM POTENTIOMETER 5K OHM 20%	R103 R151 R164 R167 R170 R176
14103300	RES CF 220 5% 1/4W	R112 R117 R121 R124 R131 R140 R171 R175 R199
14104500	RES CF 680 5% 1/4W	R104 R119 R132 R133 R135 R136
14106000	RES CF 3.3K 5% 1/4W T&R	R144 R180
14106600	RES CF 5.6K 5% 1/4W T&R	R115 R126 R128 R177 R178
14107200	RES CF 10K 5% 1/4W T&R	R190
14107600	RES CF 15K 5% 1/4W T&R	R125 R130 R139
14107800	RES CF 18K 5% 1/4W T&R	R102 R106 R110 R114 R129 R202
14108200	RES CF 27K 5% 1/4W T&R	R98 R148 R166 R169 R172 R174 R181
14108800	RES CF 47K 5% 1/4W T&R	R111 R116 R134 R145 R160 R161 R192 R196 R200 R201 R203 R205 R206 R207 R208
14109500	RES CF 91K 5% 1/4W T&R	R30
14109600	RES CF 100K 5% 1/4W T&R	R105 R127 R137
14110000	RES CF 150K 5% 1/4W	R100 R101 R138 R149 R162 R163
14110200	RES CF 180K 5% 1/4W T&R	R198
14111600	RES CF 680K 5% 1/4W T&R	R194
14112800	RES CF 4.7M 5% 1/4W	R191 R197
14114400	RES CF 22 5% 1/4W	R188 R193
14408300	RES MF 5.11K 1% 1/4W	R189
14409500	RES MF 3.32K 1% 1/4W	
14415400	RES MF 12.1K 1% 1/4W	
14419900	RES MF 3.16K 1% 1/4W	
14421000	RES MF 7.5K 1% 1/4W	

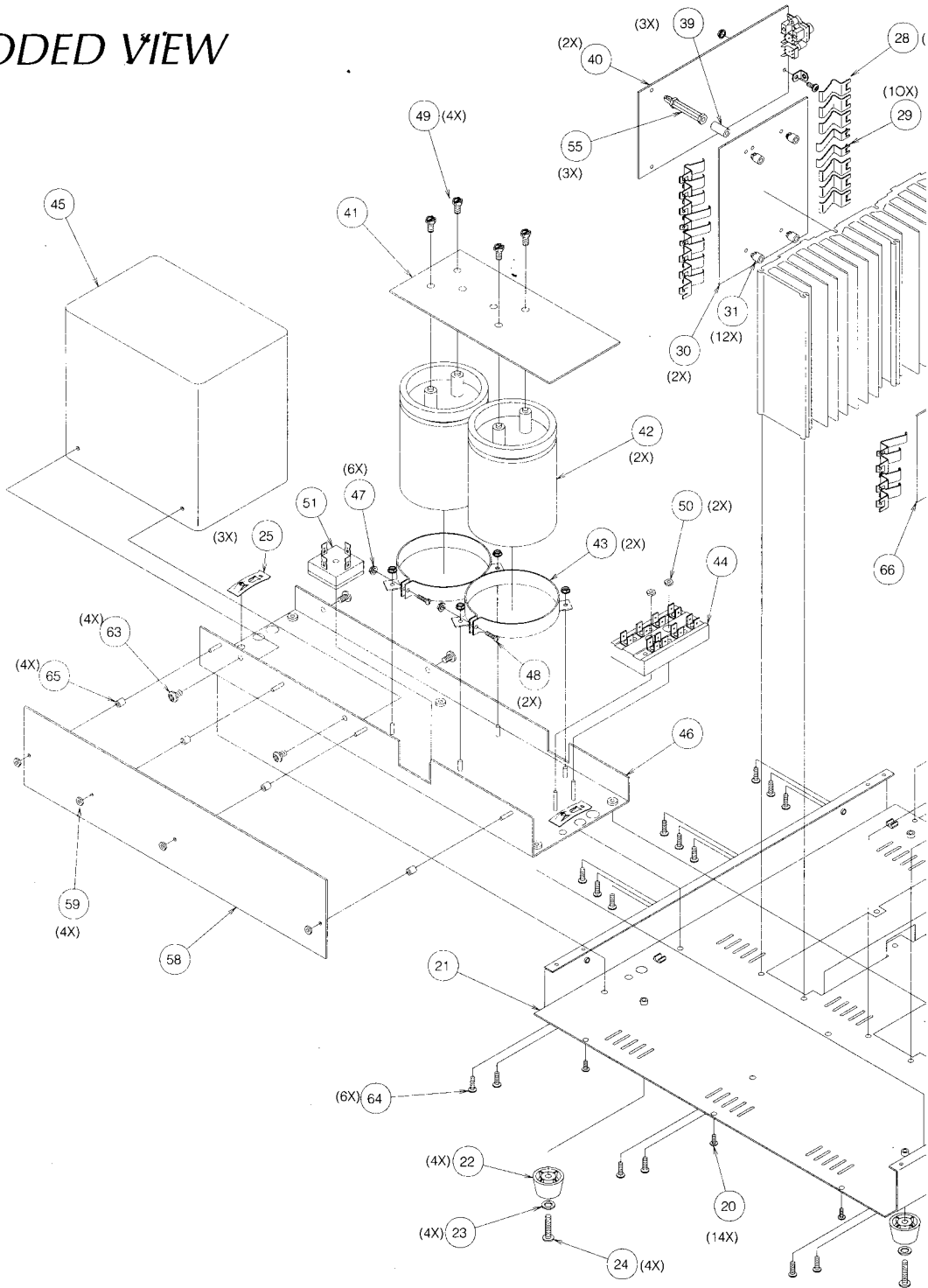
EXPLODED VIEW

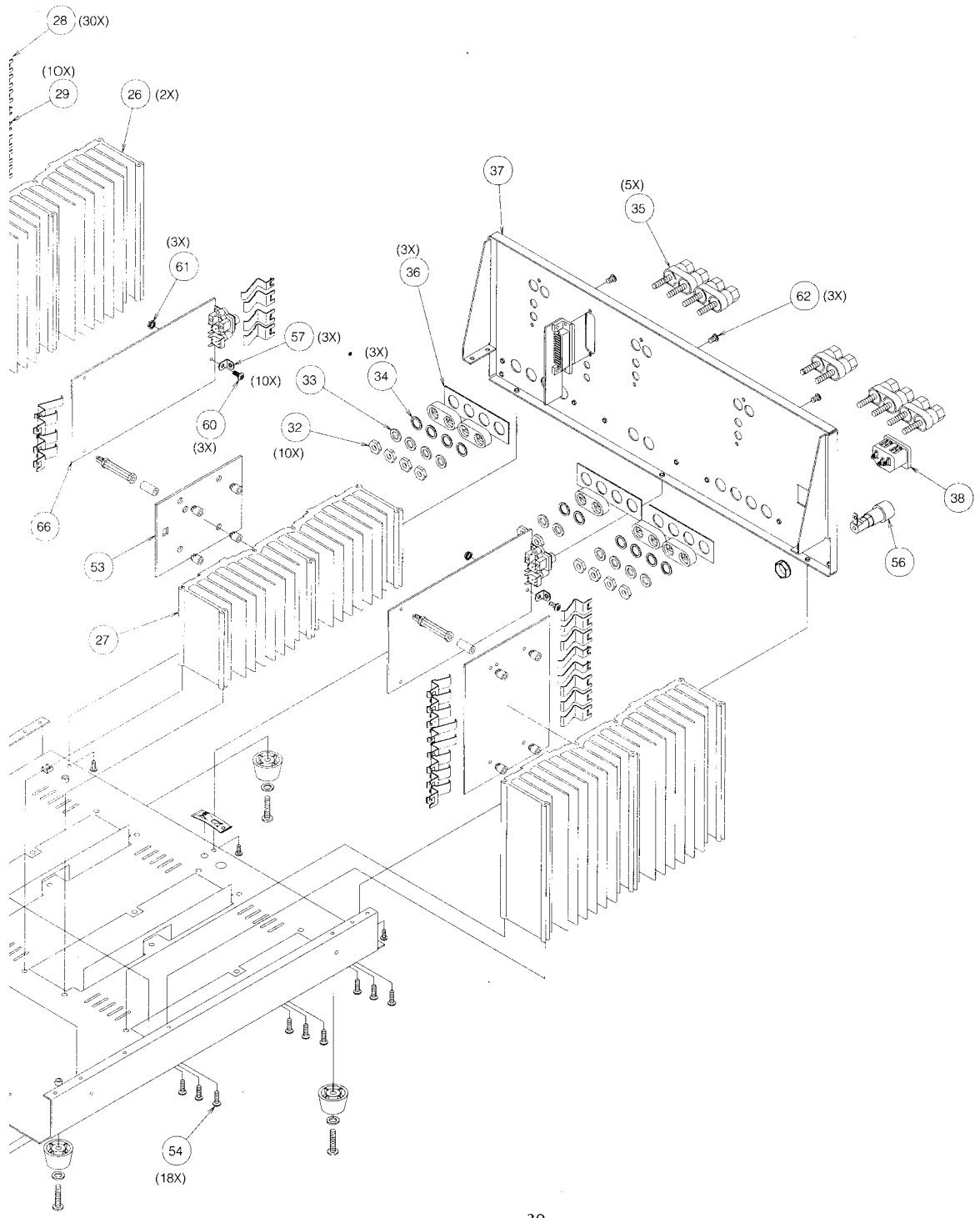




REF. NO.	PART NO.	DESCRIPTION
1	090257	KNOB
2	104017	FELT WASHER
3	018612	END CAP
4	101042	TAP SCR 4-40X1/2
5	004801	EXTRUSION BRACKET
6	018587	TOP EXTRUSION
7	101172	ST 6-32X1/4
8	016382	GLASS PANEL
9	018588	BOTTOM EXTRUSION
10	004790	SUBPANEL
11	146243	POWER SWITCH
12	048967	POWER GUARD/LAMP PCB
13	004798	TOP COVER
14	124064	METER
15	092341	FILTER AZURE BLUE
16	092342	FILTER PALE BLUE
17	017447	PLASTIC LIGHT BOX
18	101078	8-32X5/16
19	146250	METER SWITCH
20	101054	SELF TAP SCR 10-32X3/4
21	004797	CHASSIS
22	017218	PLASTIC FEET
23	104080	FLAT WASHER #10
24	100159	MACH SCR 10-32X3/4
25	106007	SPRING CLIP
26	018583	HEATSINK
27	018560	HEATSINK
28	114119	TRANSISTOR CLIP 214
29	114118	TRANSISTOR CLIP 218
30	048968	HEATSINK PCB
31	112087	PCB SPACER 1/4"
32	110009	NUT M5X0.8
33	104148	FLAT WASHER BRASS
34	104130	LW #10
35	084124	DUAL BINDING POST
36	004800	OUTPUT PLATE
37	004783	REAR PANEL
38	117487	A/C RECEPTACLE
39	022185	SPACER #6X1/2
40	048969	DRIVER PCB
41	048967	CAPACITOR PCB
42	066480	CAPACITOR
43	003855	CAPACITOR CLAMP
44	074091	A/C TERMINAL BLOCK
45	048980	TRANSFORMER POT
46	004791	TRAY
47	102045	KEP NUT 6-32
48	100118	MS 6-32X1/2
49	100188	MS 10-32X3/8
50	102022	MN 4-40
51	070139	RECTIFIER BRIDGE
52	017705	DISPLAY PLEXIGLASS
53	048999	HEATSINK PCB
54	101176	TCS 6-32X1/2
55	112088	CIRCUIT BOARD SUPPORT
56	178122	FUSE HOLDER
57	003611	CARD MOUNTING BRACKET
58	048970	METER BOARD
59	102001	4-40 MACHINE NUT
60	100186	MS 6-32X1/4
61	102003	MACH NUT 6-32 W/LOCK
62	100271	SEMS 6-32X1/4
63	101163	ST 8-32X1/4
64	100120	MS 10-32X1/4
65	021094	SPACER
66	049005	DRIVER PCB

EXPLODED VIEW





REPACKING INSTRUCTIONS

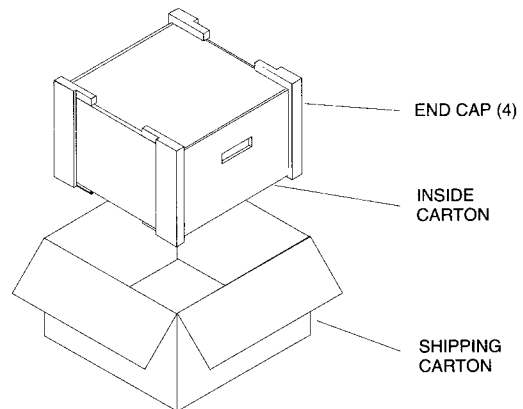
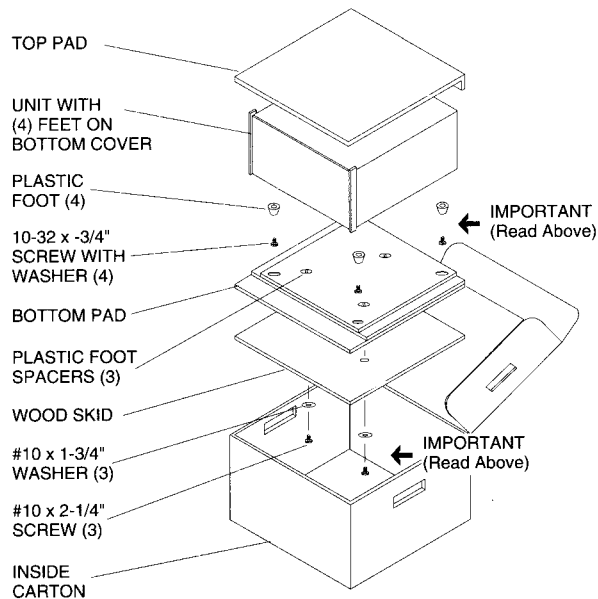
In the event it is necessary to repack the unit for shipment, the unit must be packed exactly as shown below.

IMPORTANT - The four plastic feet must be attached to the bottom of the unit so they will locate in the four holes of the bottom pad. Three #10 x 2-1/4" screws and washers must be used to fasten the unit securely to the bottom pad and wood skid. Failure to do this will result in shipping damage.

If a shipping carton or any of the interior parts is needed, please call or write the Customer Service Department of McIntosh Laboratory. Order parts from the accompanying list by part number.

Use the original shipping carton and interior parts only if they are in good serviceable condition.

Qty.	Part No.	Description
1	033888	Shipping carton only
4	033887	End cap (Foam pad)
1	033697	Inside carton only
1	033725	Top pad
1	034008	Bottom pad
3	017218	Plastic foot (spacer)
1	033699	Woodskid
3	101169	#10 x 2-1/4" Wood screw
3	104033	#10 x 1-3/4" Flat washer
4	017218	Plastic foot
4	100159	#10-32 x 3/4" Machine screw
4	104083	#10 x 7/16" Flat washer
1	049299	Packaging complete



MC7205

POWER AMPLIFIER

SERVICE MANUAL

The continuous improvement of its products is the policy of McIntosh Laboratory Incorporated, who reserve the right to improve design without notice. Because of the constant upgrading of McIntosh products' circuitry and components, the Company cannot insure, and does not warrant, the accuracy of the within schematic material, which is intended for information only.

McINTOSH LABORATORY, INC. 2 CHAMBERS STREET, BINGHAMTON, NEW YORK 13903 Printed in U.S.A. Part Number 040625